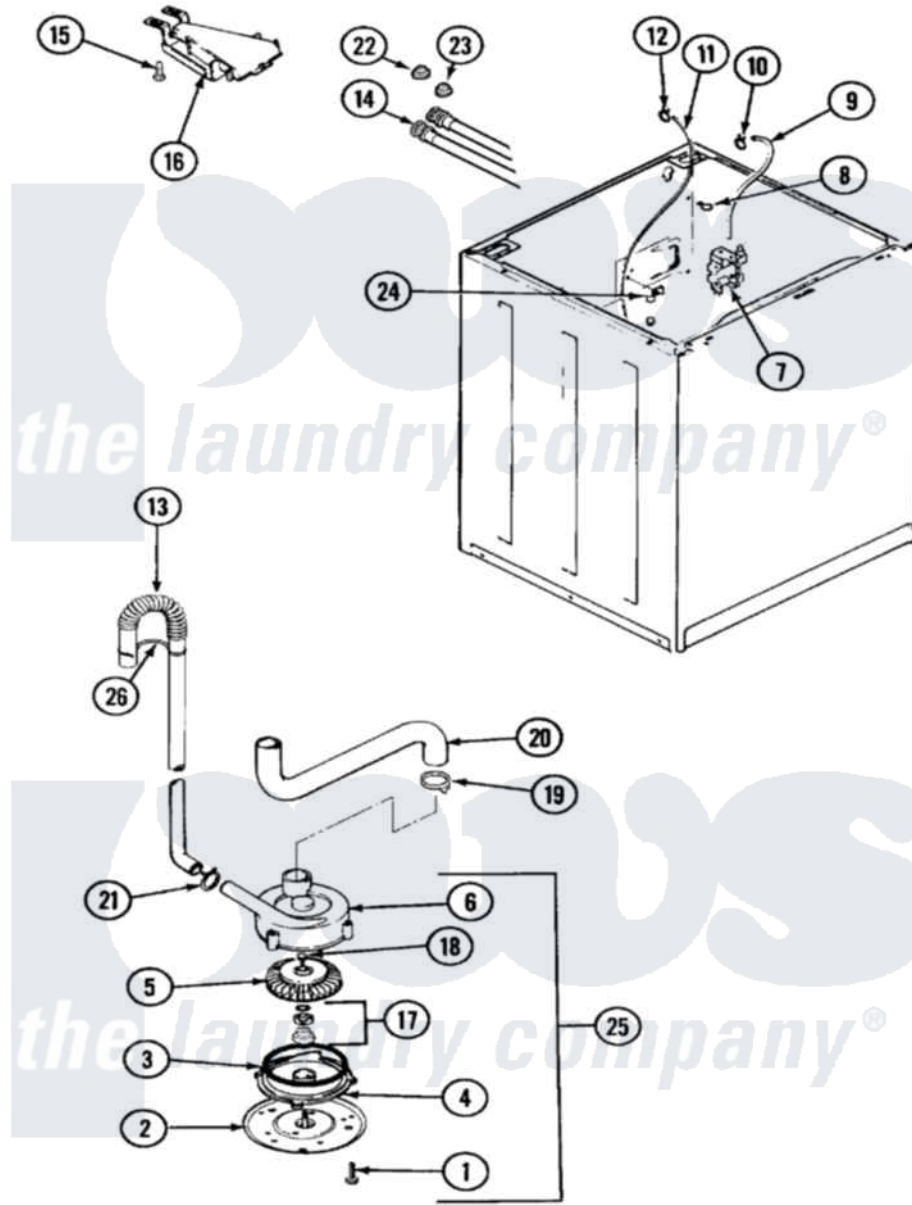


# Admiral LATA401AGE 03 - PUMP



Admiral [Residential Admiral LATA401AGE Washer Parts](#) Parts Diagram 03 - PUMP  
 Click on the part number to view part

Item	Original Part Number	Replaced By	Status	Part Description
1	25-7405	<a href="#">3196164</a>		Screw
2	33-6035		Not Available	PLATE & PULLEY ASSY.
3	<a href="#">33-6032</a>			Gasket
4	<a href="#">35-2058</a>			Base, Pump
5	35-2057	<a href="#">35-6465</a>		Pump Assem
6	35-2056		Not Available	HOUSING, PUMP
7	<a href="#">35-2375</a>			Valve, Water Mixing-230V
"	<a href="#">25-7220</a>			Clip, Cabinet Top
8	25-7867	<a href="#">596669</a>		Clamp, Manifold
9	35-3623	<a href="#">12002749</a>		Hose, Flume Kit
10	25-7867	<a href="#">596669</a>		Clamp, Manifold
11	35-2322	<a href="#">21001748</a>		Hose, Pressure Switch
"	35-2261		Not Available	PAD, PRESSURE SWITCH HOSE
12	25-7796	<a href="#">596669</a>		Clamp, Manifold
13	35-3539	<a href="#">21001872</a>		Hose, Drain
14	<a href="#">35-3400</a>			Inlet Hose Assembly

"	<a href="#">35-3401</a>		Inlet Hose Assembly
15	25-3092	<a href="#">90767</a>	Screw, 8A X 3/8 HeX Washer Head Tapping
16	35-2051	<a href="#">21001760</a>	Flume Assembly / Water Diverter
17	<a href="#">35-0707</a>		Seal, Seat And "O" Ring
18	25-7894	<a href="#">W10001180</a>	Screw
19	25-6068	<a href="#">285655</a>	Clamp, Hose
20	35-3584	<a href="#">21001915</a>	Hose, Tub To Pump
21	25-7080	<a href="#">285655</a>	Clamp, Hose
22	<a href="#">25-7048</a>		Washer
23	33-7313	<a href="#">33-4264N</a>	Strainer And Washer Kit
24	<a href="#">33-6099</a>		Clamp
25	35-2099	<a href="#">35-6465</a>	Pump Assem
"	<a href="#">35-2344</a>		Restrictor, Flow
26	33-9537	<a href="#">22003814</a>	Retainer, Drain Hose

