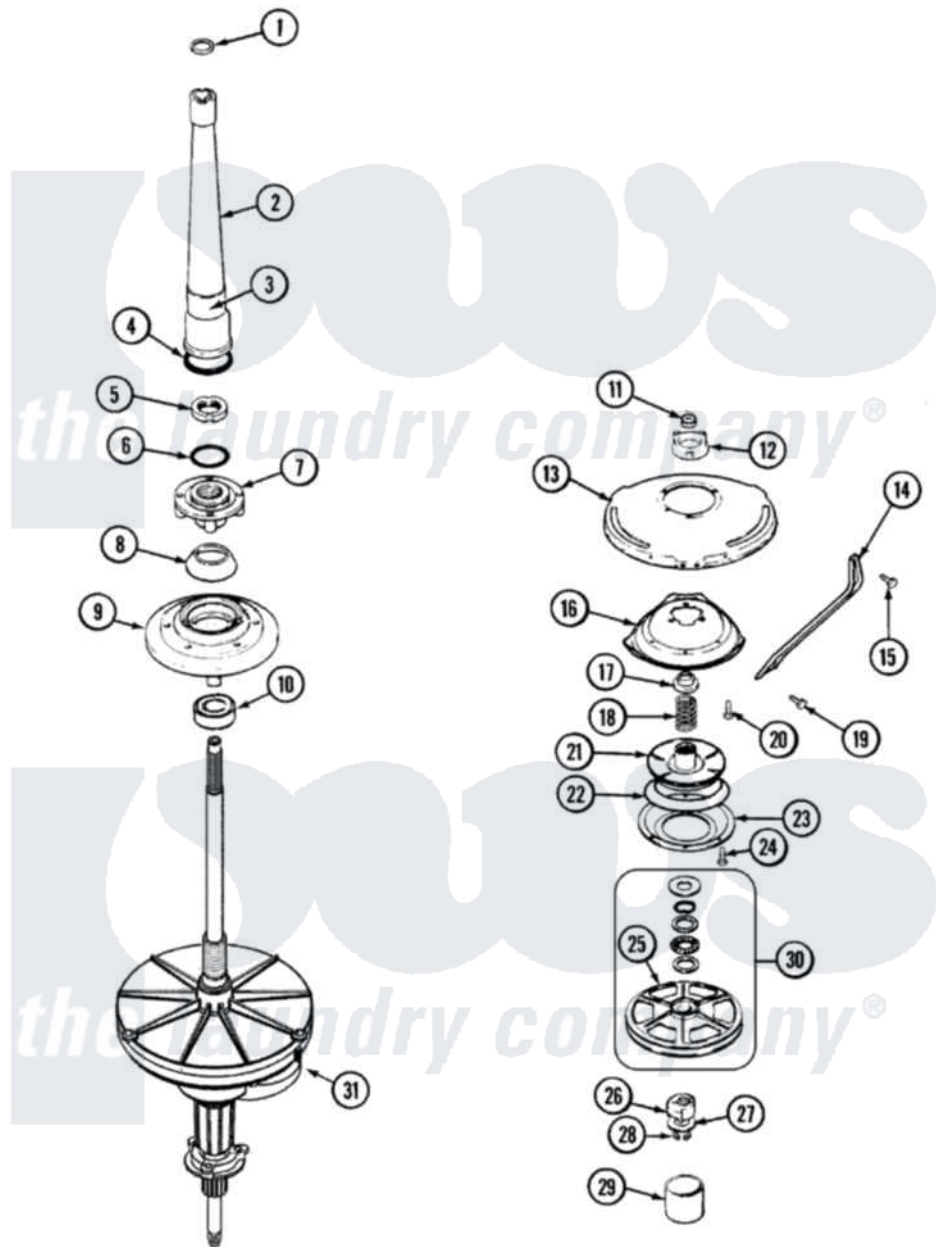


# Admiral LATA401AGM 05 - TRANSMISSION (LATA401AGM/KE/RE SERIES10)



Admiral Residential Admiral LATA401AGM Washer Parts Parts Diagram 05 - TRANSMISSION (LATA401AGM/KE/RE SERIES10)

Click on the part number to view part

Item	Original Part Number	Replaced By	Status	Part Description
1	<a href="#">25-7941</a>			"O" Ring, Agtr Drive Shaft
2	35-2792	<a href="#">21001401</a>		Center Pos
3	35-2983		Not Available	CENTERPOST ASSY.
"	<a href="#">33-6790</a>			Bearing, Agitator
4	<a href="#">35-2906</a>			Seal, Centerpost Bottom
5	<a href="#">35-2791</a>			Nut, Spin Tube
6	<a href="#">25-7938</a>			"O" Ring, Basket Drive Hub
7	35-3647	<a href="#">W10219156</a>		Tub Seal
8	<a href="#">35-2974</a>			Tub Seal/Hub Assembly
9	35-2716	<a href="#">12001561</a>		Bearing And Seal Housing Assembly
10	<a href="#">35-2205</a>			Bearing, Spin
"	35-2972	<a href="#">12001561</a>		Bearing And Seal Housing Assembly
11	35-2010	<a href="#">207843</a>		Lip Seal Repair Kit

12	35-2973	<a href="#">35-6680</a>	Transmission
"	35-2730	<a href="#">12001562</a>	Bearing Assembly
13	21001162	<a href="#">21001518</a>	Support, Tub
14	21001164		Not Available BRACE, TUB
15	25-7895	<a href="#">21001858</a>	Screw 5/16-18 x 1/2
16	<a href="#">21001163</a>		Housing, Suspension
17	<a href="#">35-2017</a>		Retainer, Brake Spring
18	35-2112	<a href="#">21001910</a>	Spring, Brake
19	25-7930	<a href="#">21001858</a>	Screw 5/16-18 x 1/2
20	25-7895	<a href="#">21001858</a>	Screw 5/16-18 x 1/2
21	35-2948	<a href="#">35-6714</a>	Brake Roto
22	21001161	<a href="#">21002026</a>	Snubber
23	35-2018	<a href="#">35-6918</a>	Stator, Brake
24	<a href="#">21001065</a>		Screw, No.10-24 x .50 Hxnibhd
25	35-3829	<a href="#">12002213</a>	Thrust Bearing Kit
26	LA-2007	<a href="#">12002213</a>	Thrust Bearing Kit
27	<a href="#">35-2132</a>		Washer, 1.25ODX.530IDX.032
"	<a href="#">35-2082</a>		Washer, 1.25ODX.530IDX.062
28	<a href="#">25-7854</a>		Ring, Retaining
29	<a href="#">35-2007</a>		Cap, Dust
30	12500036	<a href="#">12002213</a>	Thrust Bearing Kit
31	21001394	<a href="#">35-6680</a>	Transmission

