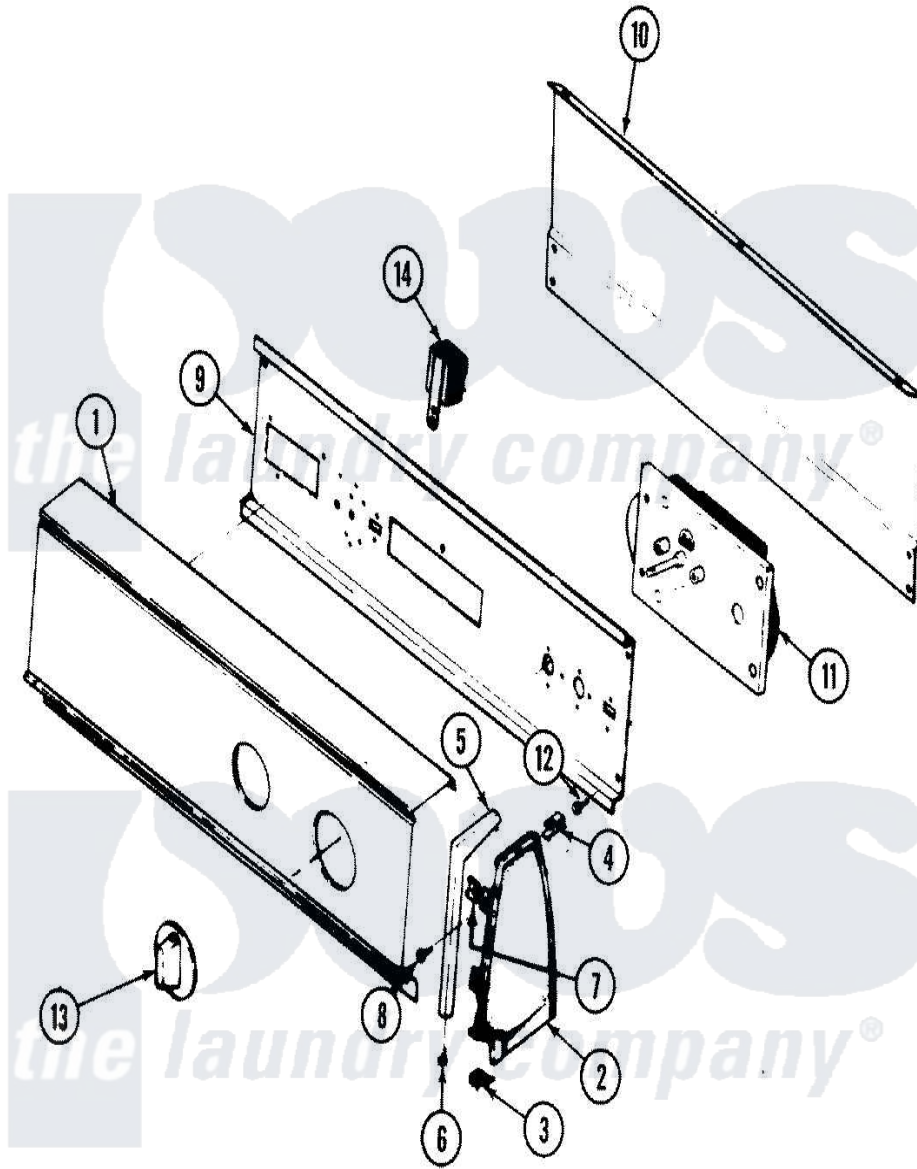


# Admiral LDEA100ACL 01 - CONTROL PANEL



Admiral [Residential Admiral LDEA100ACL Dryer Parts](#) Parts Diagram 01 - CONTROL PANEL  
 Click on the part number to view part

| Item | Original Part Number    | Replaced By              | Status        | Part Description                        |
|------|-------------------------|--------------------------|---------------|---|
| 1    | 53-2430                 |                          | Not Available | CONTROL PANEL                           |
| 2    | 35-2488                 | <a href="#">21001452</a> |               | Cap- End                                |
| "    | <a href="#">25-7702</a> |                          |               | Speedclip, End Cap To Control Panel     |
| "    | 25-7649                 | <a href="#">910187</a>   |               | Screw                                   |
| "    | 35-2487                 | <a href="#">21001451</a> |               | Cap- End                                |
| 3    | <a href="#">25-7851</a> |                          |               | Speedclip, End Cap To Top               |
| "    | 25-7691                 |                          | Not Available | SCREW, END CAP TO TOP                   |
| 4    | <a href="#">25-7852</a> |                          |               | Speedclip, Rr Shld To End Cap           |
| "    | 25-7435                 | <a href="#">33002917</a> |               | Screw, No.10-16                         |
| 5    | 53-0277                 |                          | Not Available | TRIM, END CAP (RT)                      |
| "    | 53-0278                 |                          | Not Available | TRIM, END CAP (LT)                      |
| 6    | <a href="#">25-7760</a> |                          |               | Screw                                   |
| 7    | <a href="#">25-7702</a> |                          |               | Speedclip, End Cap To Control Panel     |
| 8    | 25-3092                 | <a href="#">90767</a>    |               | Screw, 8A X 3/8 HeX Washer Head Tapping |

|    |                          |                          |   |
|----|--------------------------|--------------------------|---|
| 9  | <a href="#">53-1676</a>  |                          | Shield, Control                         |
| "  | 53-2504                  | <a href="#">31001193</a> | Pad, Shield                             |
| 10 | 35-2688                  | <a href="#">21001460</a> | Shield, Rear                            |
| 11 | 63-6743                  | <a href="#">31001484</a> | Resistor Assembly                       |
| "  | <a href="#">53-1803</a>  |                          | Timer                                   |
| 12 | 25-7435                  | <a href="#">33002917</a> | Screw, No.10-16                         |
| 13 | 53-1533                  | <a href="#">31001219</a> | Knob Ski                                |
| 14 | <a href="#">53-0456</a>  |                          | Switch, Selector                        |
| 15 | 35-2185                  | <a href="#">21001283</a> | Knob, Selector---Piq                    |
| 16 | <a href="#">53-1639</a>  |                          | Buzzer Assembly                         |
| "  | 25-3092                  | <a href="#">90767</a>    | Screw, 8A X 3/8 HeX Washer Head Tapping |
| 17 | 53-2434                  | Not Available            | MANUAL, USE & CARE                      |
| "  | <a href="#">31001008</a> |                          | Manual, Use And Care                    |
| 18 | 16002079                 | Not Available            | GUIDE, QUICK REF - ADMIRAL              |

