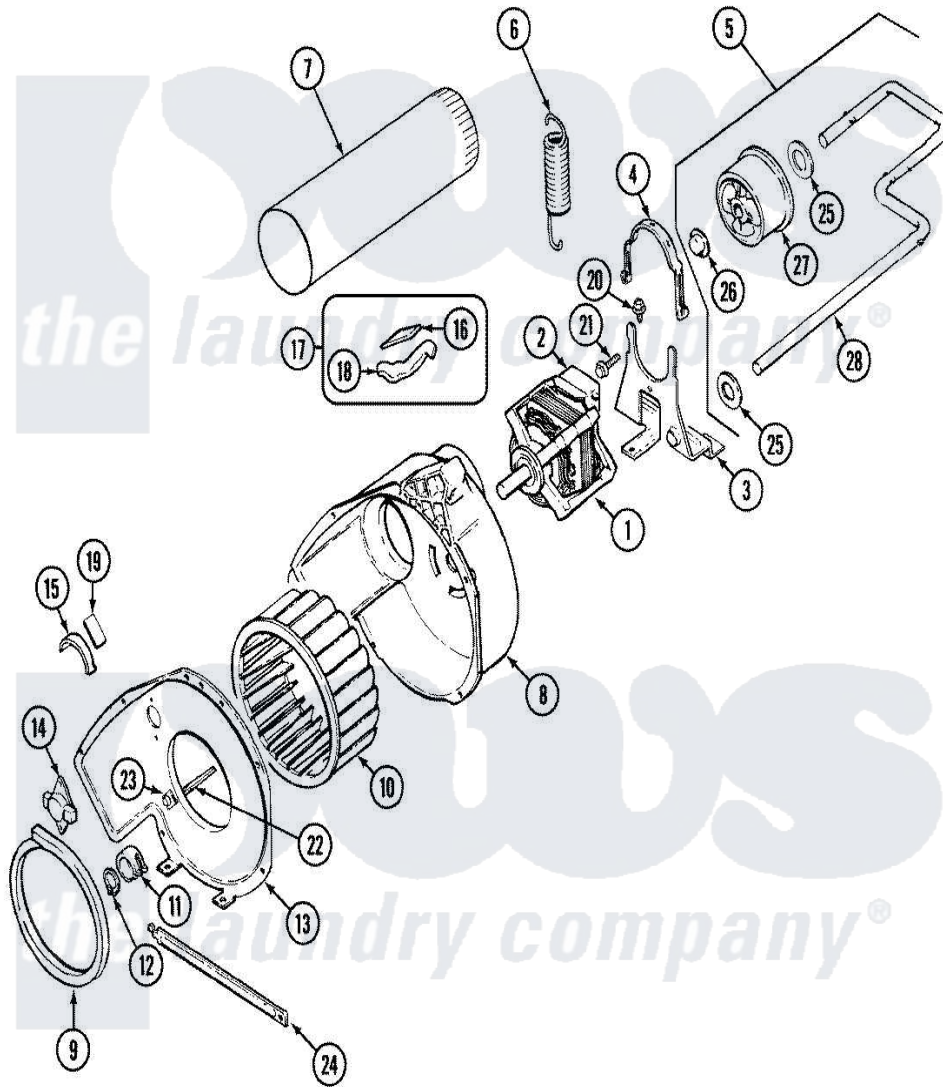


# Admiral LDEA300AGE 05 - MOTOR & DRIVE (LDEA300AGE)



Admiral [Residential Admiral LDEA300AGE Dryer Parts](#) Parts Diagram 05 - MOTOR & DRIVE (LDEA300AGE)  
 Click on the part number to view part

Item	Original Part Number	Replaced By	Status	Part Description
1	<a href="#">31001017</a>			Motor
2	53-0693	<a href="#">53-0332</a>		Motor Switch
3	25-7732	<a href="#">681414</a>		Screw, 10AB X 1/2
"	53-1932	<a href="#">31001570</a>		Bracket, Motor
4	53-0214	<a href="#">660658</a>		Clamp, Motor Mounting 343481 685441
5	<a href="#">53-2287</a>			Idler Assembly
6	53-2209	<a href="#">31001465</a>		Spring, Idler
7	<a href="#">53-0134</a>			Duct, Exhaust
"	25-2134	<a href="#">W10116760</a>		Screw
8	<a href="#">53-1801</a>			Housing, Blower
9	53-0203	<a href="#">12001324</a>		Duct Kit, Collector
10	<a href="#">31001043</a>			Wheel, Blower
"	<a href="#">31001043</a>			Wheel, Blower
"	<a href="#">53-0106</a>			Blower Wheel
11	25-7823	<a href="#">312967</a>		Clamp, Blower Housing
12	<a href="#">25-7855</a>			Ring, Retaining

13	53-1933		Not Available	COVER, BLOWER HOUSING
"	<a href="#">53-1934</a>			Cover, Blower Housing
"	25-7435	<a href="#">33002917</a>		Screw, No.10-16
14	53-0170		Not Available	THERMOSTAT, LO-LIMIT (120/110)
"	25-2134	<a href="#">W10116760</a>		Screw
"	<a href="#">53-1107</a>			Thermostat, Control
"	<a href="#">31001192</a>			Thermostat, Control
15	53-2273	<a href="#">31001470</a>		Glide, Tumbler
16	53-0724	<a href="#">31001356</a>		Pad, Glide
17	<a href="#">LA-1006</a>			Glide Kit, Tumbler
18	53-2272	<a href="#">31001469</a>		Glide, Tumbler
19	53-1684	<a href="#">31001356</a>		Pad, Glide
20	25-7963	<a href="#">31001571</a>		Screw, 10-24 x 0700 Hxwshrd Ty
21	<a href="#">25-7674</a>			Screw
22	<a href="#">53-1026</a>			Guide, Vane Inlet
23	<a href="#">25-3457</a>			Screw, Sems
24	<a href="#">53-1625</a>			Brace, Tumbler Support
25	<a href="#">25-7815</a>			Washer
26	<a href="#">25-7957</a>			Pushnut
27	53-1628	<a href="#">31001344</a>		Pulley, Idler
28	53-2250	<a href="#">53-2287</a>		Idler Assembly

