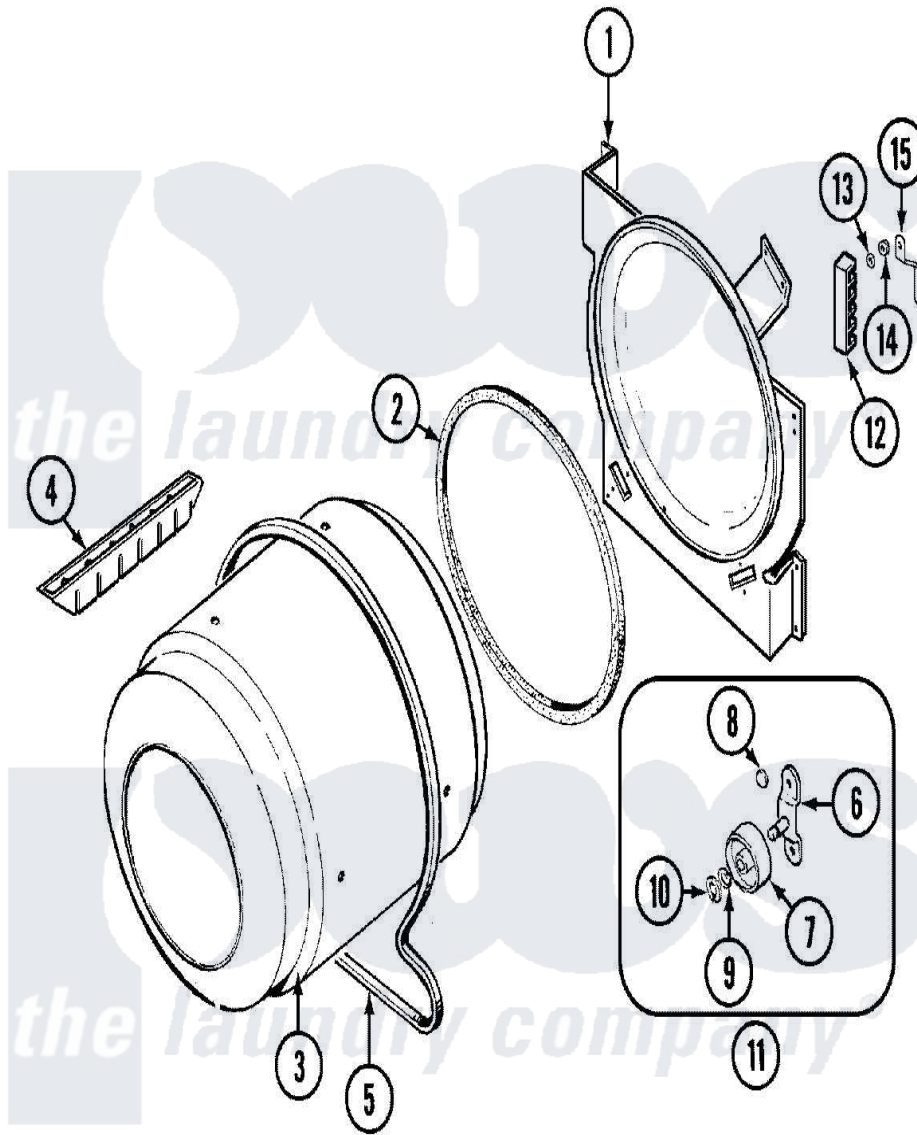


# Admiral LDEA300AKE 06 - TUMBLER



Admiral [Residential Admiral LDEA300AKE Dryer Parts](#) Parts Diagram 06 - TUMBLER  
 Click on the part number to view part

| Item | Original Part Number    | Replaced By              | Status        | Part Description               |
|------|-------------------------|--------------------------|---------------|--------------------------------|
| 1    | 25-7733                 | <a href="#">681414</a>   |               | Screw, 10AB X 1/2              |
| "    | <a href="#">LA-1054</a> |                          |               | Dryer Bulkhead Kit             |
| 2    | 53-0281                 | <a href="#">31001747</a> |               | Seal Assembly                  |
| 3    | <a href="#">53-1250</a> |                          |               | Cylinder                       |
| 4    | 53-1249                 |                          | Not Available | BAFFLE, WHITE                  |
| "    | 25-7759                 | <a href="#">3196164</a>  |               | Screw                          |
| 5    | 31531589                | <a href="#">341241</a>   |               | Belt                           |
| 6    | 25-7101                 | <a href="#">3351614</a>  |               | Screw, Gearcase Cover Mounting |
| "    | <a href="#">53-0197</a> |                          |               | Support Assembly-Cylinder Rear |
| 7    | 53-1578                 | <a href="#">31001096</a> |               | Roller                         |
| 8    | <a href="#">25-7813</a> |                          |               | Spacer                         |
| 9    | <a href="#">25-7814</a> |                          |               | Washer                         |
| 10   | <a href="#">25-7854</a> |                          |               | Ring, Retaining                |
| 11   | <a href="#">LA-1008</a> |                          |               | Rr Roller Kit                  |
| 12   | <a href="#">53-1518</a> |                          |               | Block, Terminal                |

|    |                         |                          |                             |
|----|-------------------------|--------------------------|-----------------------------|
| "  | 25-7952                 | <a href="#">3400074</a>  | Screw                       |
| 13 | <a href="#">25-3122</a> |                          | Washer, Flat                |
| 14 | 25-0027                 | <a href="#">112432</a>   | Nut                         |
| "  | 25-7808                 | <a href="#">21001837</a> | Nut, Lock W/Nylon Insert    |
| 15 | 53-0965                 |                          | Not Available STRAP, GROUND |

