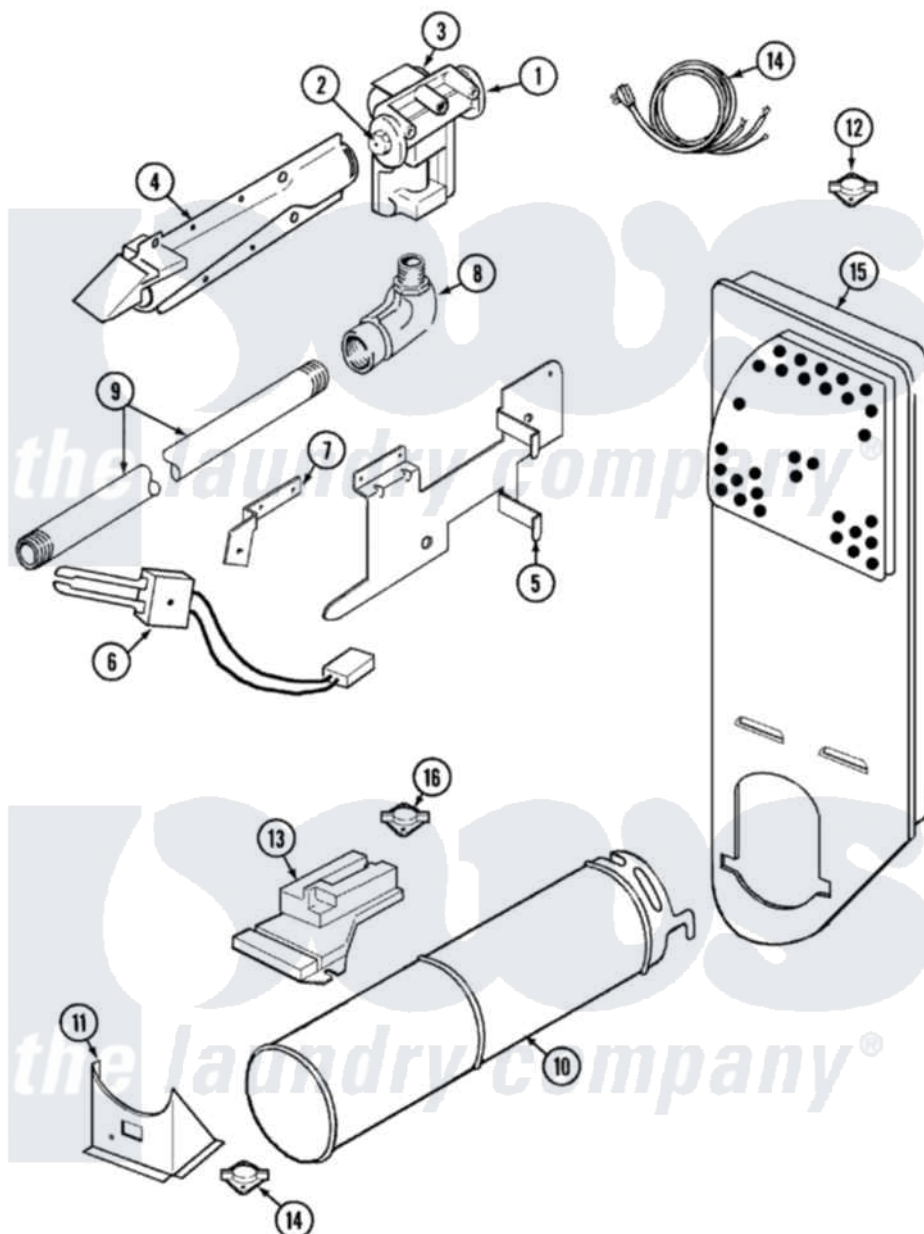


# Admiral LDGA100BAM 04 - GAS CARRYING (BAX)



Admiral [Residential Admiral LDGA100BAM Dryer Parts](#) Parts Diagram 04 - GAS CARRYING (BAX)  
 Click on the part number to view part

| Item | Original Part Number     | Replaced By               | Status        | Part Description    |
|------|--------------------------|---------------------------|---------------|---------------------|
| 1    | <a href="#">60-6846</a>  |                           |               | Union Nut           |
| "    | 31001368                 |                           | Not Available | TAIL PIECE          |
| "    | <a href="#">31001485</a> |                           |               | Valve, Gas          |
| 2    | <a href="#">63-3570</a>  |                           |               | Burner Orifice      |
| 3    | 63-6615                  | <a href="#">279834</a>    |               | Coil-Valve          |
| "    | 63-6614                  | <a href="#">279834</a>    |               | Coil-Valve          |
| 4    | 63-6682                  | <a href="#">31001784</a>  |               | Burner              |
| 5    | <a href="#">53-0140</a>  |                           |               | Mtg Bracket         |
| "    | 25-7741                  | <a href="#">W10116760</a> |               | Screw               |
| 6    | 53-0689                  | <a href="#">31001556</a>  |               | Igniter             |
| 7    | 25-2134                  | <a href="#">W10116760</a> |               | Screw               |
| "    | <a href="#">25-3034</a>  |                           |               | Clip, Wiring        |
| "    | 25-7744                  | <a href="#">8281196</a>   |               | Screw               |
| "    | 53-0686                  |                           | Not Available | BRACKET             |
| 8    | 53-0101                  | <a href="#">31001042</a>  |               | Valve, Gas Shut Off |
| 9    | 25-7741                  | <a href="#">W10116760</a> |               | Screw               |

|    |                          |                           |   |
|----|--------------------------|---------------------------|---|
| "  | 53-2362                  | <a href="#">31001777</a>  | Main Gas L                              |
| 10 | 25-3032                  |                           | Not Available WIRING CLIP               |
| "  | <a href="#">53-1884</a>  |                           | Housing, Heater                         |
| 11 | 25-3092                  | <a href="#">90767</a>     | Screw, 8A X 3/8 HeX Washer Head Tapping |
| "  | 25-7741                  | <a href="#">W10116760</a> | Screw                                   |
| "  | <a href="#">53-2363</a>  |                           | Support, Heater Housing                 |
| 12 | 53-0143                  | <a href="#">LA-1053</a>   | Fuse Kit, Thermal                       |
| "  | <a href="#">25-0168</a>  |                           | Screw                                   |
| 13 | 25-2134                  | <a href="#">W10116760</a> | Screw                                   |
| "  | 63-5013                  | <a href="#">338906</a>    | Radiant, Sensor                         |
| 14 | 63-6259                  | <a href="#">31001547</a>  | Cord, Power                             |
| 15 | 25-7819                  | <a href="#">M0217225</a>  | Screw                                   |
| "  | 25-7741                  | <a href="#">W10116760</a> | Screw                                   |
| "  | <a href="#">53-1706</a>  |                           | Inlet Air Duct Assembly                 |
| 16 | 53-1096                  | <a href="#">LA-1053</a>   | Fuse Kit, Thermal                       |
| "  | <a href="#">LA-1053</a>  |                           | Fuse Kit, Thermal                       |
| "  | 25-3032                  |                           | Not Available WIRING CLIP               |
| "  | <a href="#">53-1182</a>  |                           | Fuse, Thermal                           |
| "  | <a href="#">25-0168</a>  |                           | Screw                                   |
| 17 | <a href="#">12001031</a> |                           | Conversion Kit                          |
| "  | <a href="#">63-6766</a>  |                           | Conversion Kit                          |

