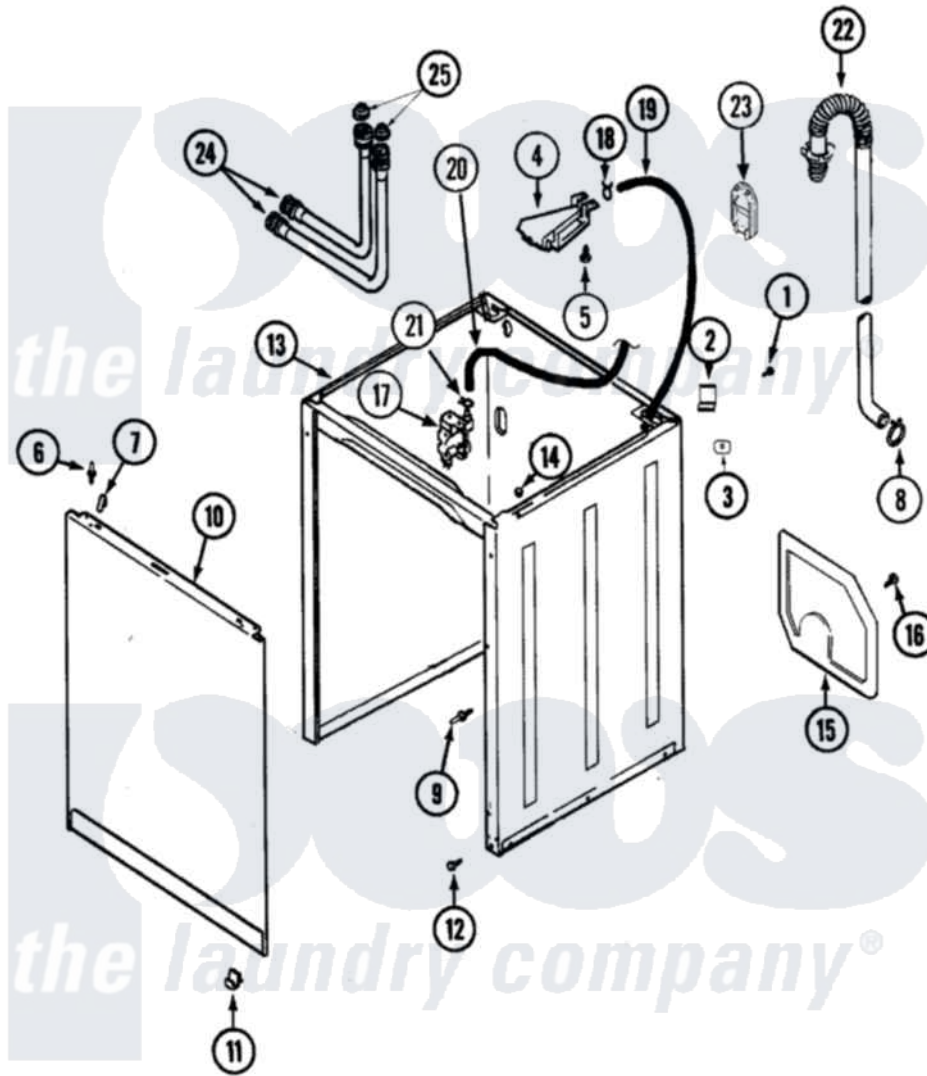


# Admiral LNC6762A01 03 - CABINET (SERIES 16)



Admiral Residential Admiral LNC6762A01 Washer Parts Parts Diagram 03 - CABINET (SERIES 16)  
 Click on the part number to view part

| Item | Original Part Number     | Replaced By             | Status | Part Description                        |
|------|--------------------------|-------------------------|--------|---|
| 1    | <a href="#">25-7893</a>  |                         |        | Screw                                   |
| 2    | <a href="#">35-2846</a>  |                         |        | Hinge, Cabinet Top                      |
| 3    | <a href="#">35-4128</a>  |                         |        | Pad, Hinge                              |
| 4    | <a href="#">21001760</a> |                         |        | Flume Assembly / Water Diverter         |
| 5    | 25-3092                  | <a href="#">90767</a>   |        | Screw, 8A X 3/8 HeX Washer Head Tapping |
| 6    | <a href="#">53-0643</a>  |                         |        | Pin, Locator                            |
| "    | <a href="#">53-0200</a>  |                         |        | Sleeve, Locator Pin                     |
| "    | 25-0224                  | <a href="#">3400029</a> |        | Nut, Adapter Plate                      |
| 7    | <a href="#">25-7220</a>  |                         |        | Clip, Cabinet Top                       |
| 8    | 21001875                 | <a href="#">285655</a>  |        | Clamp, Hose                             |
| 9    | <a href="#">21001829</a> |                         |        | Post, Locating                          |
| 10   | <a href="#">21001781</a> |                         |        | Panel, Front                            |
| "    | <a href="#">21001281</a> |                         |        | Damper, Sound Pad                       |
| 11   | 25-7732                  | <a href="#">681414</a>  |        | Screw, 10AB X 1/2                       |
| "    | <a href="#">53-0120</a>  |                         |        | Clip, Front Panel                       |

|    |                          |                          |                         |
|----|--------------------------|--------------------------|-------------------------|
| 12 | <a href="#">35-4129</a>  |                          | Bumper, Cabinet         |
| 13 | <a href="#">21001877</a> |                          | Cabinet                 |
| 14 | <a href="#">33-2653</a>  |                          | Bumper, Cabinet         |
| 15 | <a href="#">21001876</a> |                          | Shield, Rear            |
| 16 | 25-7732                  | <a href="#">681414</a>   | Screw, 10AB X 1/2       |
| 17 | 21001747                 | <a href="#">21001932</a> | Valve, Water Inlet      |
| 18 | 25-7867                  | <a href="#">596669</a>   | Clamp, Manifold         |
| 19 | 35-2378                  | <a href="#">12002749</a> | Hose, Flume Kit         |
| 20 | 21001749                 | <a href="#">21001748</a> | Hose, Pressure Switch   |
| 21 | 25-7796                  | <a href="#">596669</a>   | Clamp, Manifold         |
| 22 | <a href="#">21001872</a> |                          | Hose, Drain             |
| 23 | <a href="#">21001874</a> |                          | Outlet, Drain Hose      |
| 24 | 33-7891                  | <a href="#">89503</a>    | Hose-Inlet              |
| "  | 35-0874                  | <a href="#">76313</a>    | Hosefill                |
| 25 | <a href="#">33-4264N</a> |                          | Strainer And Washer Kit |

