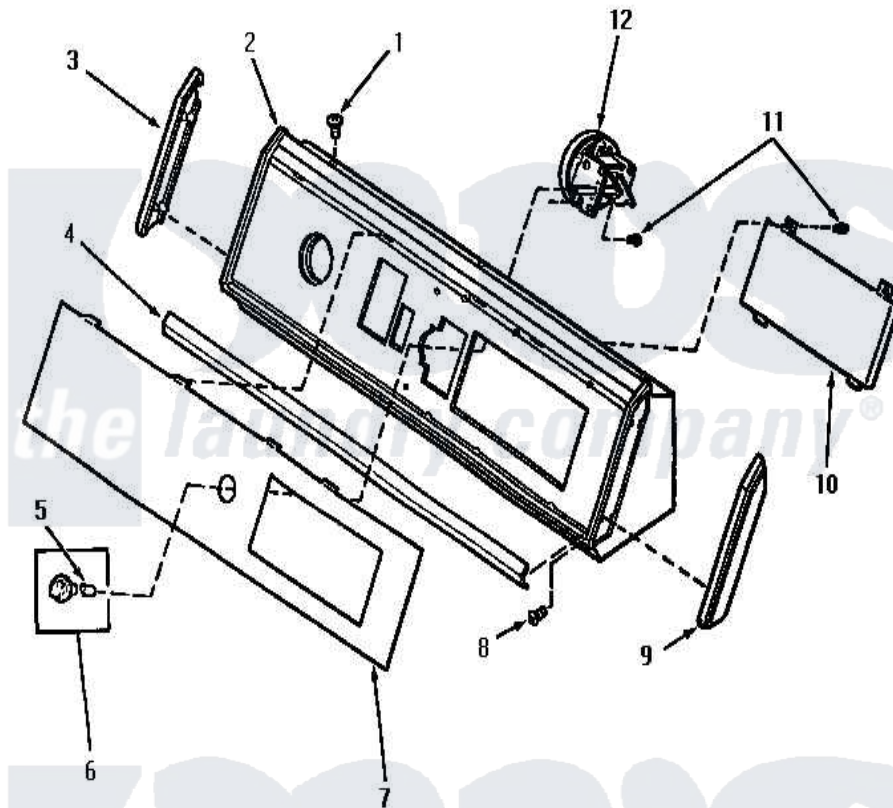


Amana AA8431 10 - GRAPHICS PANEL, CONTROL HOOD & CONTROLS



GRAPHICS PANEL, CONTROL HOOD AND CONTROLS

Amana [Residential Amana AA8431 Washer Parts](#) Parts Diagram 10 - GRAPHICS PANEL, CONTROL HOOD & CONTROLS

[Click on the part number to view part](#)

Item	Original Part Number	Replaced By	Status	Part Description
"	NOTE:		Not Available	USE FOR THE REMOVAL AND INSTALLATION OF DRIVE BELL TO TRANSMISSION SHAFT.
1	31752		Not Available	SCREW, No.8ABX3/4 POZIDRI
2	31809		Not Available	ASSY, HOOD & MOUNTING B
3	31249		Not Available	CAP, END-L.H.-CHROME
5	10519		Not Available	RETAINER
6	31286		Not Available	ASSY, KNOB-ROTARY-BLK/O
7	32734		Not Available	PANEL, GRAPHIC
8	31752		Not Available	SCREW, No.8ABX3/4 POZIDRI
9	31248			Cap, End-RH-Chrome
10	31305	31305P		Assembly
11	31260			Screw, No.8 X 3/8 Ind H
12	31266			Switch, Pressure-Rotary