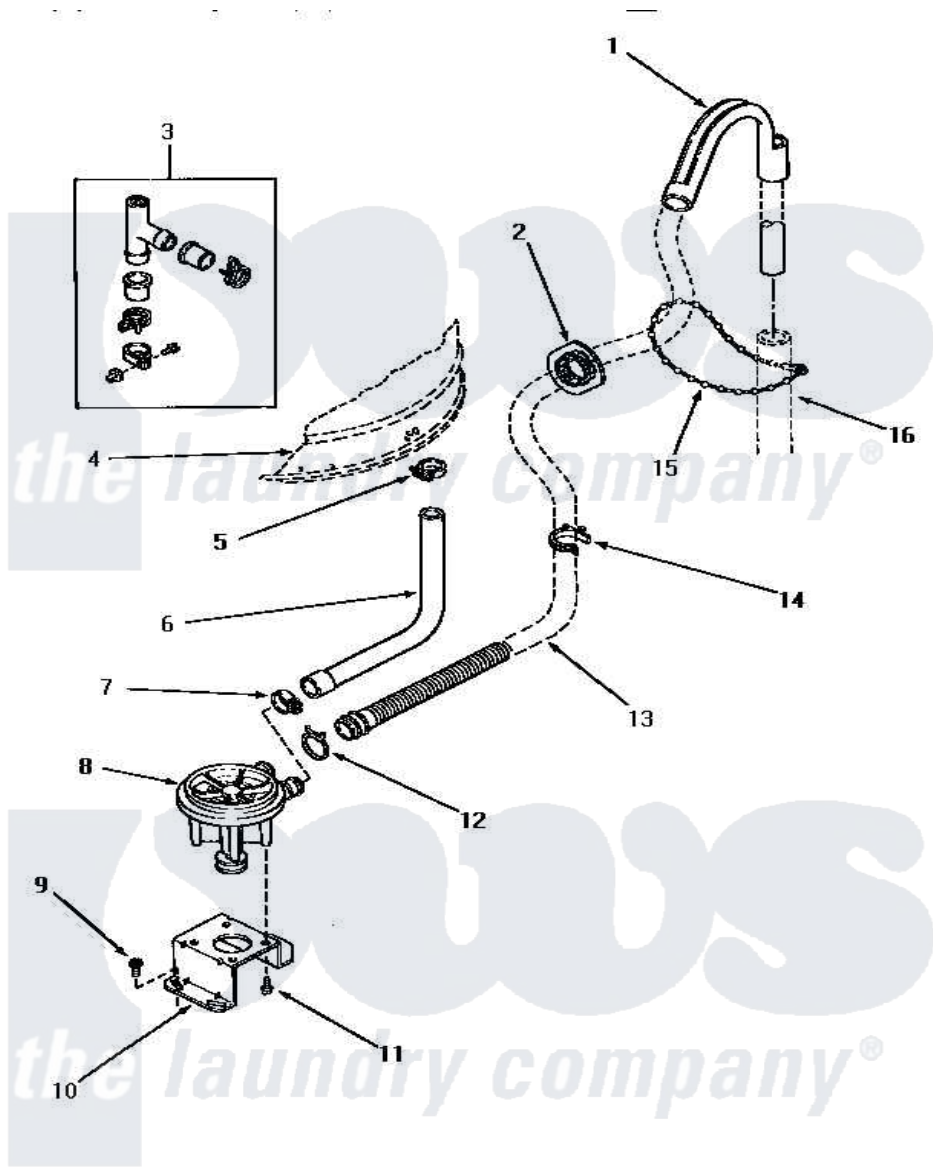


# Amana AA8431 16 - PUMP ASSY/BRKT/HOSES & SIPHON BREAK KIT



## PUMP ASSEMBLY, BRACKET, HOSES AND SIPHON BREAK KIT

Amana [Residential Amana AA8431 Washer Parts](#) Parts Diagram 16 - PUMP ASSY/BRKT/HOSES & SIPHON BREAK KIT

[Click on the part number to view part](#)

| Item | Original Part Number  | Replaced By              | Status        | Part Description        |
|------|-----------------------|--------------------------|---------------|-------------------------|
| 1    | 33615                 | <a href="#">22003814</a> |               | Retainer, Drain Hose    |
| 2    | <a href="#">32219</a> |                          |               | Relief, Strain          |
| 3    | 386P3                 | <a href="#">76660</a>    |               | Break-Sphn              |
| 4    | Y00000000             |                          | Not Available | SEE NOTE OUTER TUB      |
| 5    | 32616                 |                          | Not Available | (CLAMP HOSE)            |
| 6    | 27160                 |                          | Not Available | HOSE, TUB TO PUMP-DRAIN |
| 7    | 27153                 | <a href="#">285655</a>   |               | Clamp, Hose             |
| 8    | <a href="#">31969</a> |                          |               | Assembly, Pump NA       |
| 9    | Y31645                | <a href="#">27001200</a> |               | Screw                   |
| 10   | <a href="#">27105</a> |                          |               | Bracket, Pump Mounting  |
| 11   | <a href="#">31098</a> |                          |               | Screw, 10-10 5/8 Unslot |
| 12   | 33748                 | <a href="#">285655</a>   |               | Clamp, Hose             |
| 13   | 33613                 | <a href="#">39953</a>    |               | Hose- Drai              |
| 14   | 34321                 |                          | Not Available | CLAMP, HOSE-PLASTIC     |
| 15   | 33489                 | <a href="#">8539404</a>  |               | Tie-Wire                |
| 16   | Y00000000             |                          | Not Available | SEE NOTE STANDPIPE      |

