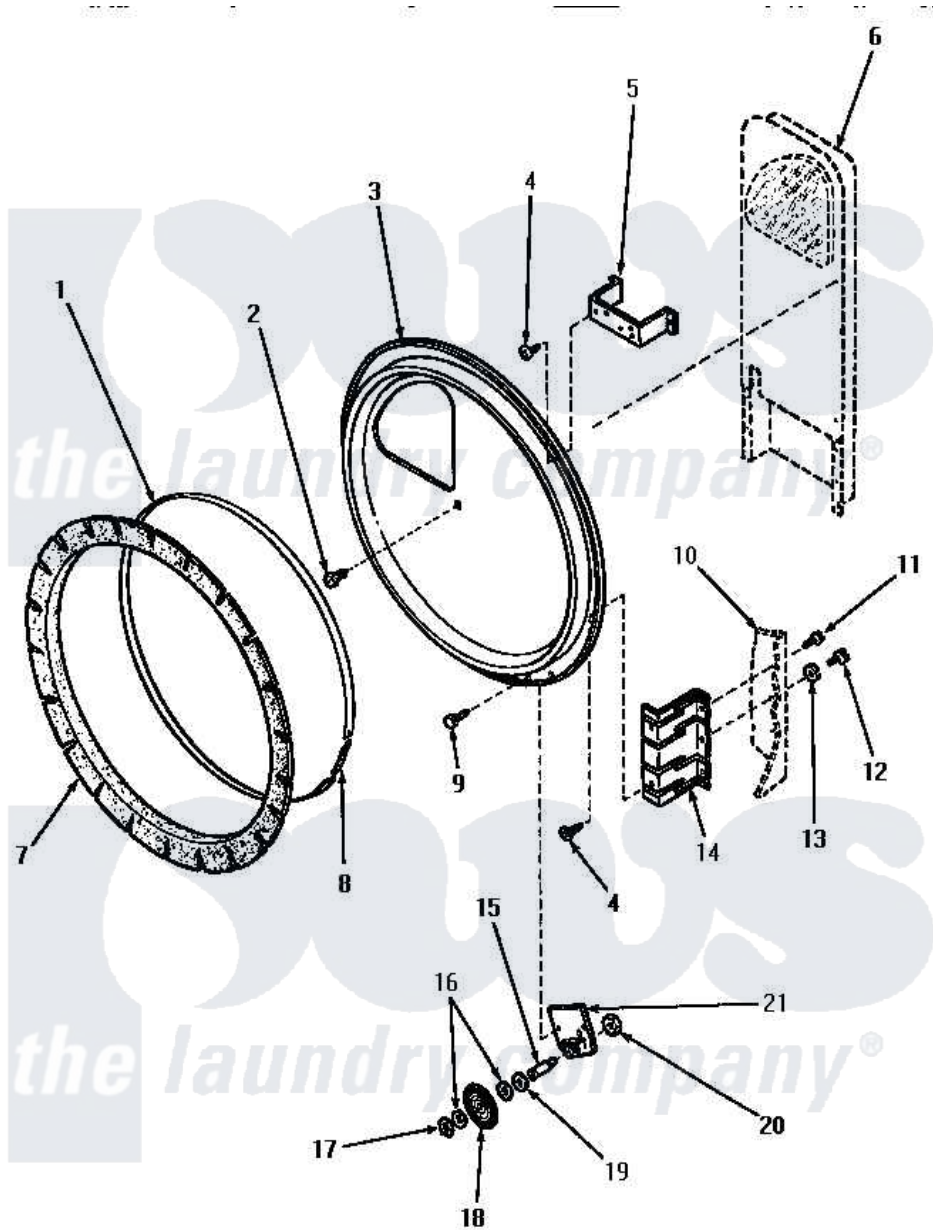


# Amana AEE953 10 - REAR BLKHD, FELT SEAL & CYLINDER ROLLER



Amana Residential Amana AEE953 Dryer Parts Parts Diagram 10 - REAR BLKHD, FELT SEAL & CYLINDER ROLLER  
 Click on the part number to view part

Item	Original Part Number	Replaced By	Status	Part Description
1	Y56090		Not Available	SEAL STRAP
2	23628	<a href="#">489464</a>		Screw
3	Y61127		Not Available	ASSY, REAR BULKHEAD/BRKT
4	56078	<a href="#">M400664</a>		SCrew Tap Trs Cr Rec 1016AB
5	60823	<a href="#">60823P</a>		Bracket, Terminal Block
6	Y00000000		Not Available	SEE NOTE HEAT DUCT -- (SEE PAGE 7)
7	<a href="#">56088</a>			Assembly, Seal
8	<a href="#">52310</a>			Spring
9	51780	<a href="#">3390631</a>		Screw, 10-16 X 3/8
10	Y00000000		Not Available	SEE NOTE CABINET -- (SEE PAGE 9, KEY 10)
11	25723	<a href="#">27001200</a>		Screw
12	<a href="#">52909</a>			Screw, 10B-16 X 1/2 HeX
13	51474		Not Available	WASHER, 13/64IDX1/2ODX.
14	56055		Not Available	BRACKET, BULKHEAD-REAR

15	<a href="#">56461</a>		Shaft
16	<a href="#">52549</a>		Washer, 501 ID X3/4 Odx
17	<a href="#">23748</a>		Ring, Retaining
18	56457	<a href="#">62649P</a>	Roller- CY
19	23886	Not Available	WASHER, .578IDX1.25ODX1
20	56156	<a href="#">358160</a>	Nut
21	56042	Not Available	BRACKET, CYLINDER ROLLER

