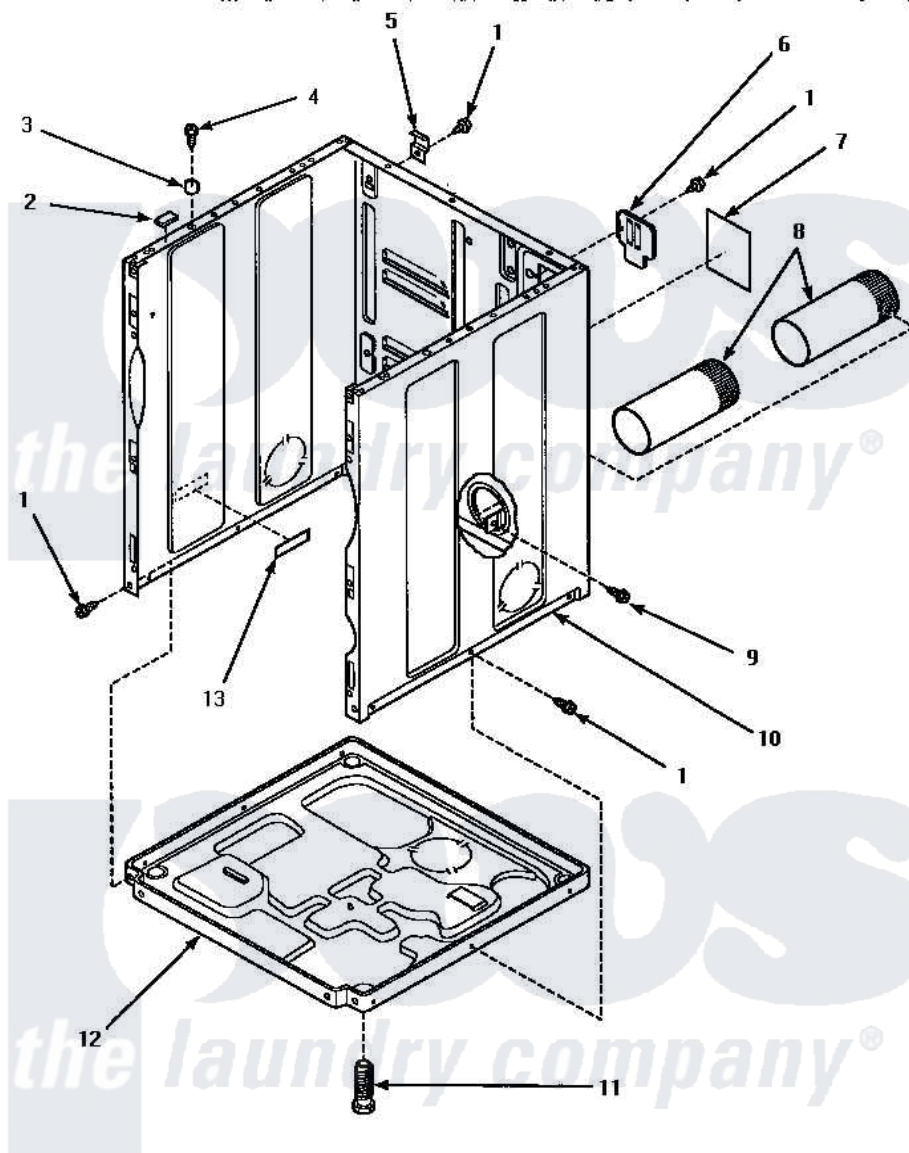


# Amana AEM427W 03 - CABINET, EXHAUST DUCT & BASE



## CABINET, EXHAUST DUCT AND BASE

Amana Residential Amana AEM427W Dryer Parts Parts Diagram 03 - CABINET, EXHAUST DUCT & BASE  
 Click on the part number to view part

| Item | Original Part Number    | Replaced By              | Status        | Part Description            |
|------|-------------------------|--------------------------|---------------|-----------------------------|
| 1    | 33562                   | <a href="#">27001200</a> |               | Screw                       |
| 2    | <a href="#">Y56128</a>  |                          |               | Pad, Bumper                 |
| 3    | 56079                   | <a href="#">505187</a>   |               | Locator, Panel              |
| 4    | 32671                   | <a href="#">Y014874</a>  |               | Screw, Idler Arm And Sleeve |
| 5    | <a href="#">500003</a>  |                          |               | Hinge, Top                  |
| 6    | 500114                  | <a href="#">510903</a>   |               | Plate Access Panel          |
| 7    | 501289                  |                          | Not Available | (ELECTRIC MODELS)           |
| 8    | 500064                  | <a href="#">505518</a>   |               | Duct, Exhaust               |
| 9    | 501668                  | <a href="#">503688</a>   |               | Screw, 10B-16 X .34 I       |
| 10   | 500001LP                | <a href="#">727P3L</a>   |               | Kit Dryer Panels            |
| "    | 500001HP                |                          | Not Available | ASSY, CABINET               |
| "    | 500001WP                | <a href="#">37001284</a> |               | Cabinet As Pack             |
| 11   | <a href="#">Y500101</a> |                          |               | Leg, Leveling               |
| 12   | <a href="#">500070</a>  |                          |               | Base, Dryer                 |
| 13   | 61294                   |                          | Not Available | (ELECTRIC MODELS)           |
| NI   | <a href="#">528P3</a>   |                          |               | Directional Exhaust Kit     |