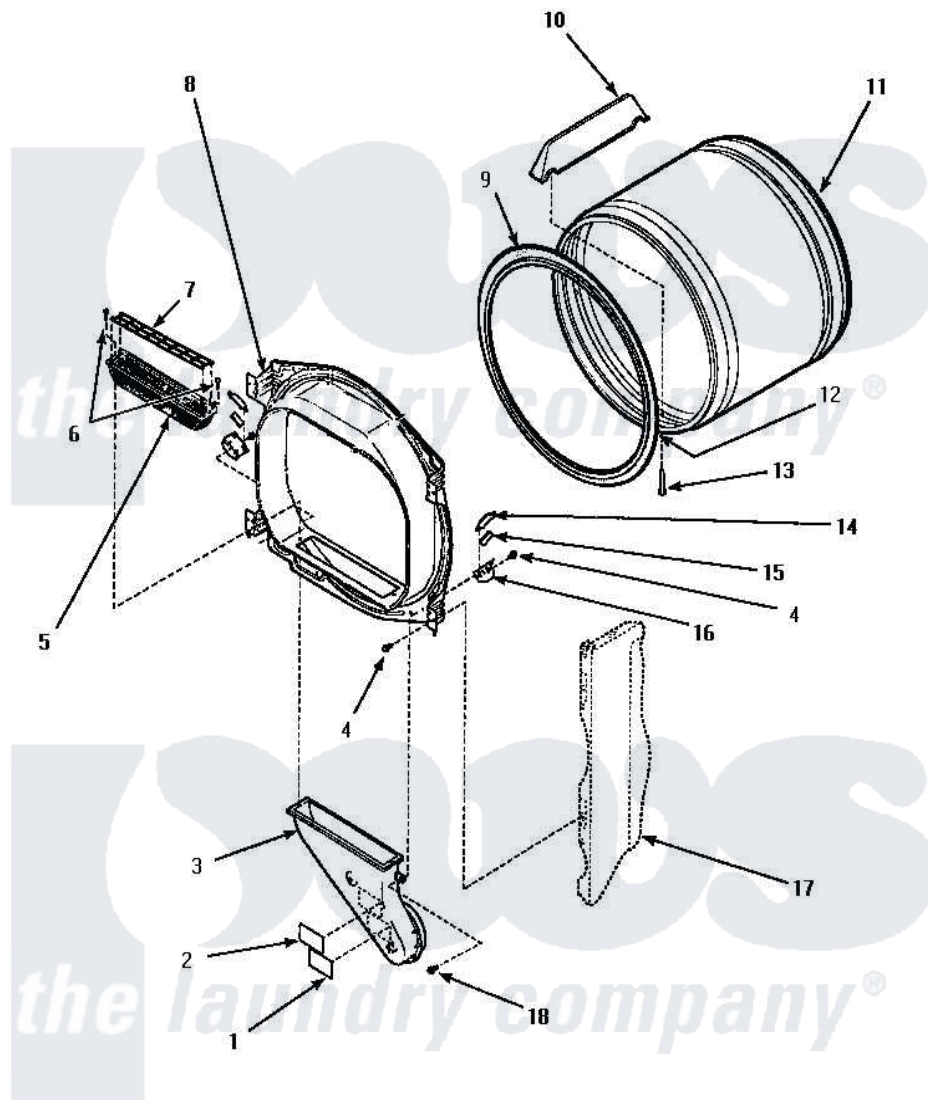


Amana AEM427W2 04 - FR BLKHD, AIR DUCT, FELT SEAL & CYLINDER



FRONT BULKHEAD, AIR DUCT, FELT SEAL AND CYLINDER

Amana Residential Amana AEM427W2 Dryer Parts Parts Diagram 04 - FR BLKHD, AIR DUCT, FELT SEAL & CYLINDER

[Click on the part number to view part](#)

Item	Original Part Number	Replaced By	Status	Part Description
1	56259		Not Available	STICKER
2	500049		Not Available	STICKER
3	502231		Not Available	DUCT, HEAT
4	501668	503688		Screw, 10B-16 X .34 I
5	502140P			Filter, Lint Kit
6	500226			Screw, 8b-16 x 5/8 Tap
7	502092			Cover, Lint Filter
8	500117W		Not Available	ASSY,BULKHEAD-FRONT-COMP
9	501801	37001132		Seal, Cylinder
10	500022	510102		Baffle- SH
11	500013WP		Not Available	ASSY,CYLINDER-HOME-
12	22506P	511637P		Adh Dow 737 Clr 3 Oz Tube
13	Y62588			Screw, 10BT-12 X 1 Tap
14	Y501676	37001298		Glide- Dry
15	500121	510189		Pad Felt

16	501554	12002090	Bracket
17	Y00000000		Not Available
18	Y31645	27001200	Screw

