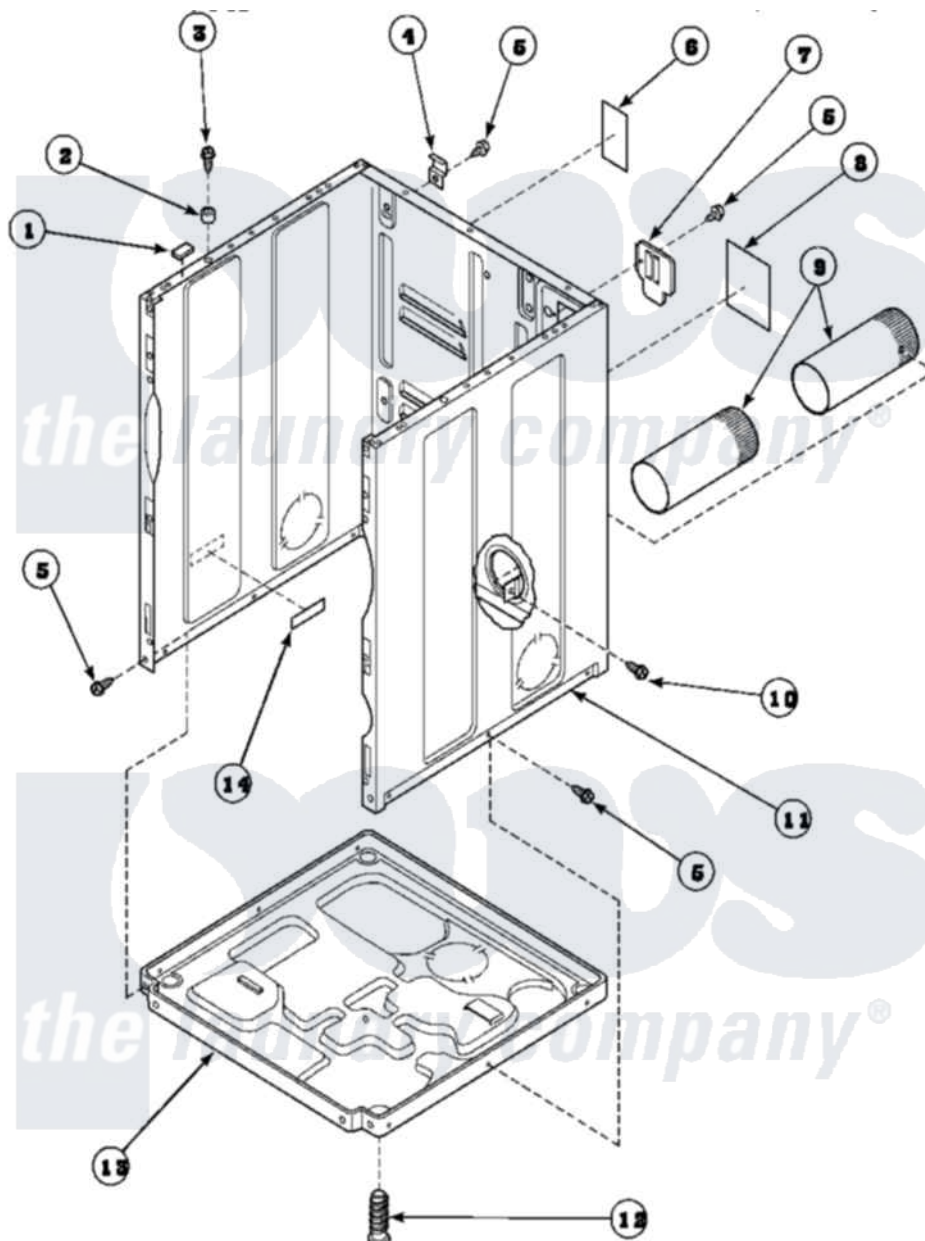


# Amana AEM427W2 (BOM: PAEM427W2) 02 - CABINET, EXHAUST DUCT AND BASE



Amana Residential Amana AEM427W2 (BOM: PAEM427W2) Dryer Parts Parts Diagram 02 - CABINET, EXHAUST DUCT AND BASE

Click on the part number to view part

Item	Original Part Number	Replaced By	Status	Part Description
1	<a href="#">Y56128</a>			Pad, Bumper
2	56079	<a href="#">505187</a>		Locator, Panel
3	32671	<a href="#">Y014874</a>		Screw, Idler Arm And Sleeve
4	<a href="#">500003</a>			Hinge, Top
5	33562	<a href="#">27001200</a>		Screw
6	500670		Not Available	STICKER NG OR MIXED GA
7	500114	<a href="#">510903</a>		Plate Access Panel
8	501289		Not Available	(ELECTRIC MODELS)
9	500064	<a href="#">505518</a>		Duct, Exhaust
10	501668	<a href="#">503688</a>		Screw, 10B-16 X .34 I
11	500001P		Not Available	(ADD LETTER BEFORE "P" IN PART
12	<a href="#">Y500101</a>			Leg, Leveling
13	<a href="#">500070</a>			Base, Dryer
14	61294		Not Available	(ELECTRIC MODELS)

