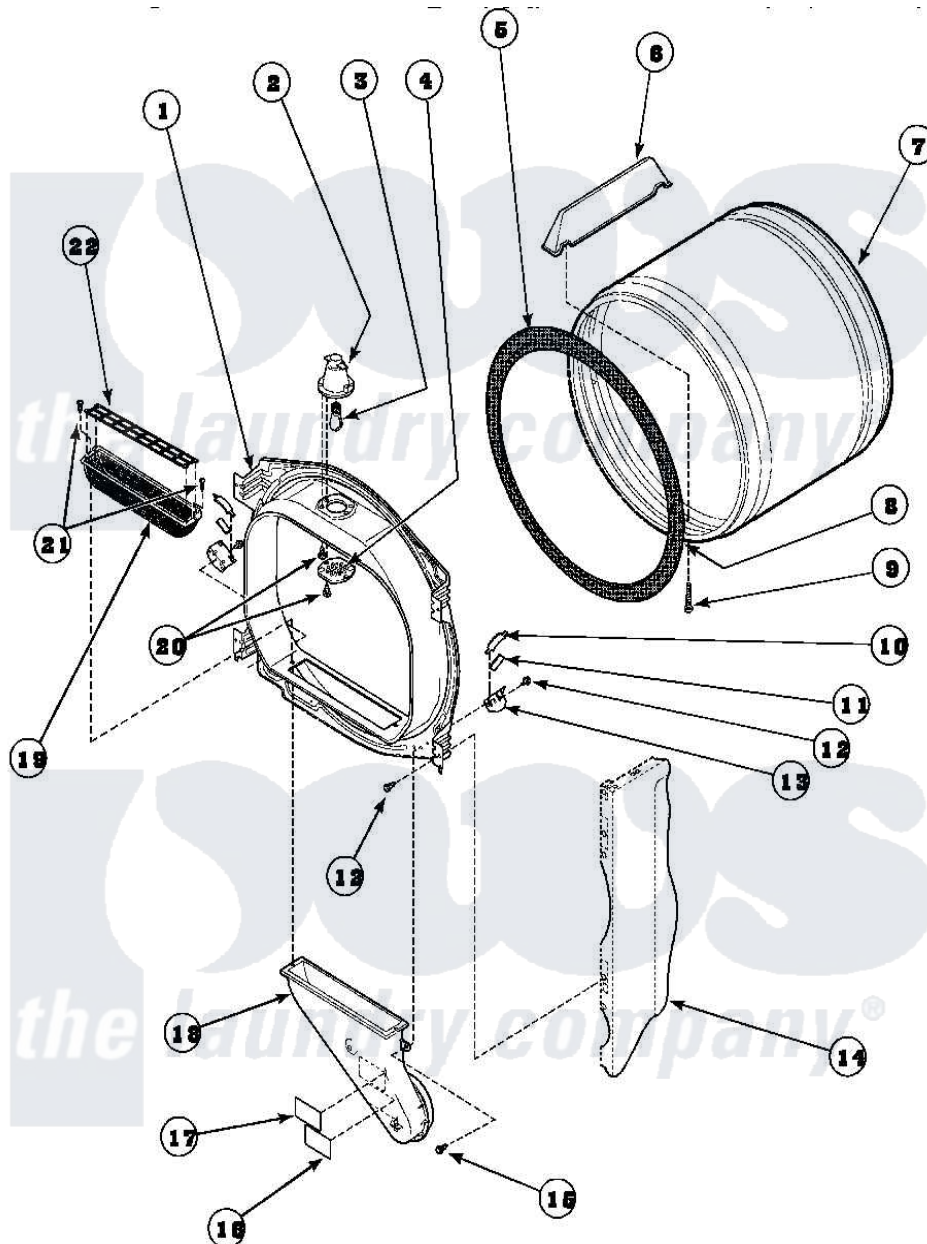


Amana AEM427W2 (BOM: PAEM427W2) 03 - FR BLKHD, AIR DUCT, FELT SEAL & CYLINDER



Amana Residential Amana AEM427W2 (BOM: PAEM427W2) Dryer Parts Parts Diagram 03 - FR BLKHD, AIR DUCT, FELT SEAL & CYLINDER
 Click on the part number to view part

Item	Original Part Number	Replaced By	Status	Part Description
1	500016W			Assembly, Bulkhead Front Complete
"	500117W		Not Available	ASSY,BULKHEAD-FRONT-COMP
2	500153		Not Available	CYLINDER LIGHT HOUSING
3	Y60954	67001316		Bulb, Light
4	500094		Not Available	LENS,DRUM LIGHT
5	501801	37001132		Seal, Cylinder
6	500022	510102		Baffle- SH
7	500013WP		Not Available	ASSY,CYLINDER-HOME-
8	22506P	511637P		Adh Dow 737 Clr 3 Oz Tube
9	Y62588			Screw, 10BT-12 X 1 Tap
10	Y501676	37001298		Glide- Dry
11	500121	510189		Pad Felt
12	501668	503688		Screw, 10B-16 X .34 I

13	501554	12002090	Bracket	
14	500070		Base, Dryer	
15	Y31645	27001200	Screw	
16	56259		Not Available	STICKER
17	500049		Not Available	STICKER
18	502231		Not Available	DUCT, HEAT
19	502140P			Filter, Lint Kit
20	500227	505295		Screw, No.8ab-16 x 3/4 PH
21	500226			Screw, 8b-16 x 5/8 Tap
22	502092			Cover, Lint Filter

