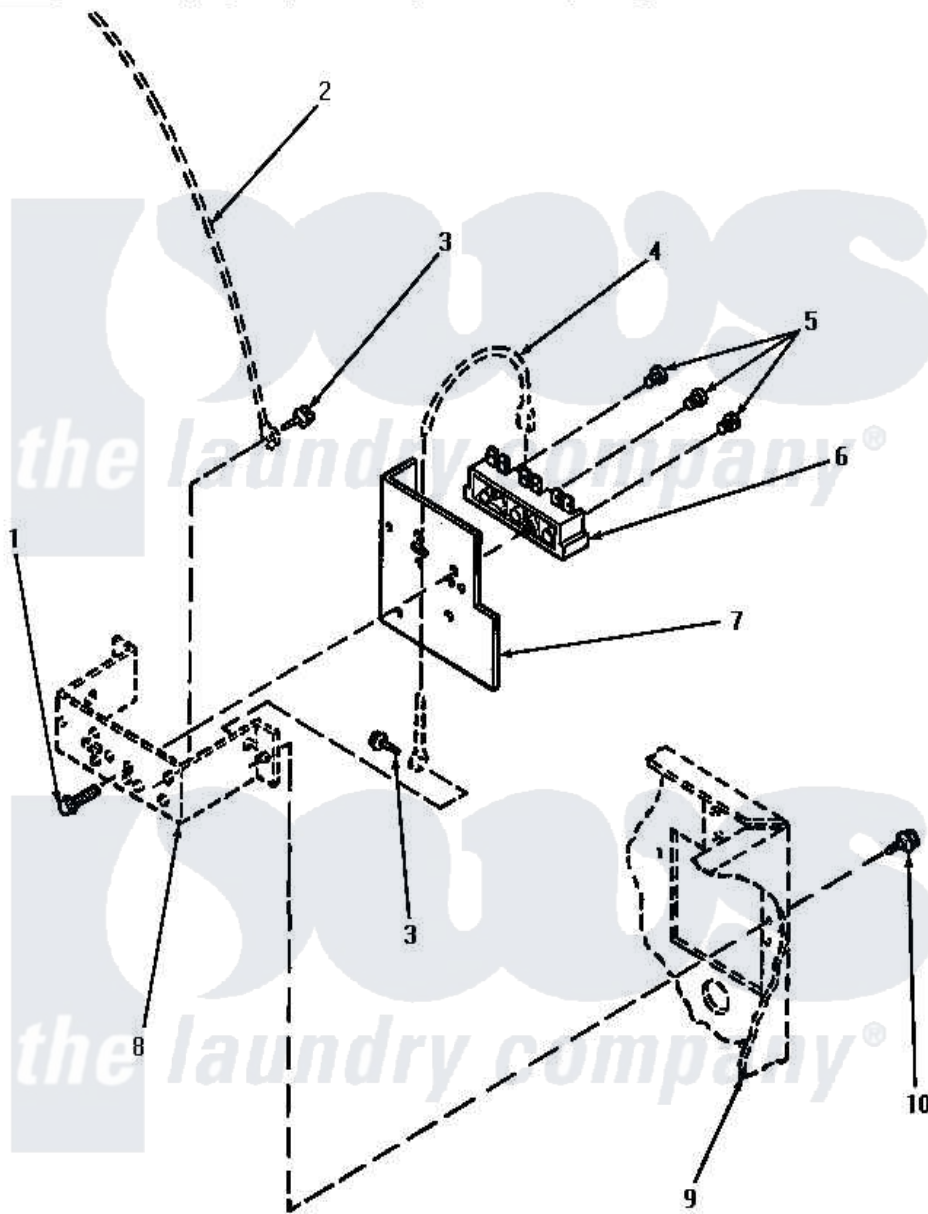


# Amana AEM453 11 - TERMINAL BLOCK



Amana Residential Amana AEM453 Dryer Parts Parts Diagram 11 - TERMINAL BLOCK  
 Click on the part number to view part

Item	Original Part Number	Replaced By	Status	Part Description
1	Y61200	<a href="#">501285</a>		Screw, No.12 X 9/16-Pla
2	Y00000000		Not Available	SEE NOTE GROUND WIRE, GREEN
3	<a href="#">20530</a>			Screw, 10-24 x 3/8 Hex
4	Y00000000		Not Available	SEE NOTE GROUND WIRE, GREEN -- (SEE NOTE 1)
5	Y61199	<a href="#">3400094</a>		Screw, 10-32 X 3/8
6	61923P	<a href="#">61923</a>		Block, Terminal
7	<a href="#">56087</a>			Shield, Terminal Block
8	Y00000000		Not Available	SEE NOTE TERMINAL BLOCK BRACKET -- (SEE PAGE 6)
9	Y00000000		Not Available	SEE NOTE CABINET -- (SEE PAGE 9, KEY 10)
10	25723	<a href="#">27001200</a>		Screw