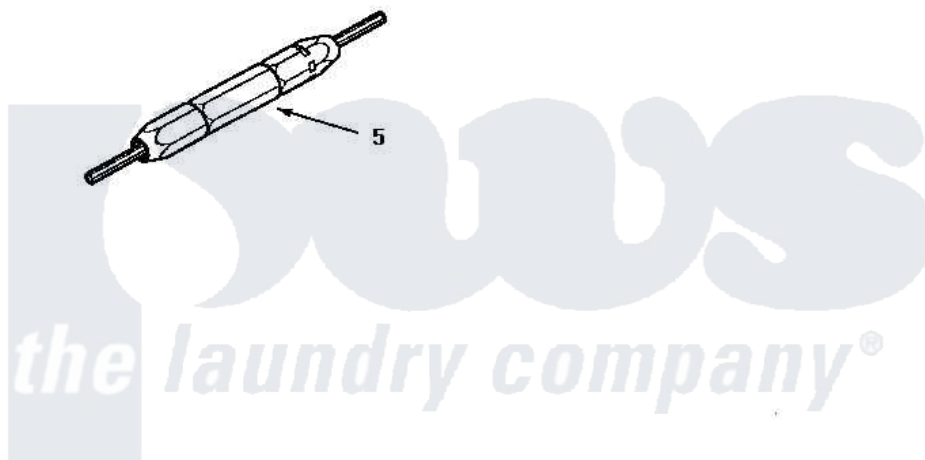
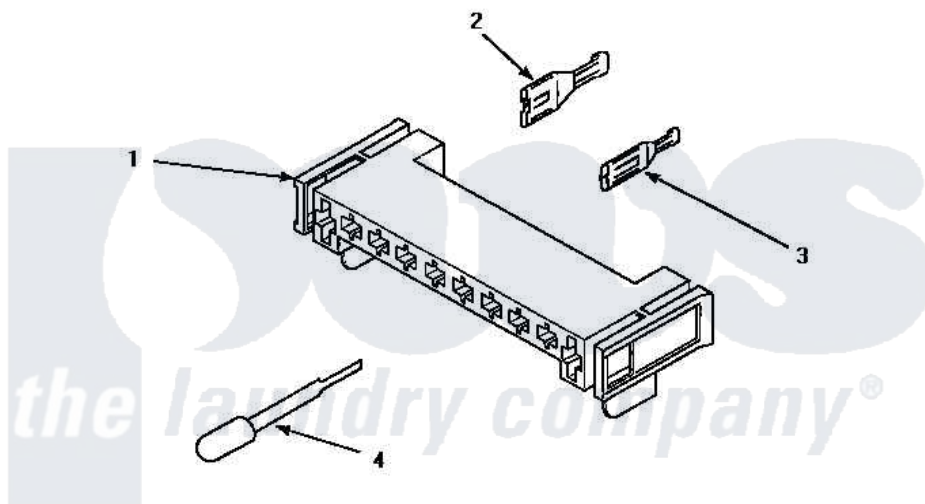


# Amana AEM477L2 11 - MTR CONN BLOCK/TERM & EXTRACTOR TOOL



## MOTOR CONNECTION BLOCK, TERMINALS AND TERMINAL EXTRACTOR TOOLS

Amana Residential Amana AEM477L2 Washer Parts Parts Diagram 11 - MTR CONN BLOCK/TERM & EXTRACTOR TOOL

Click on the part number to view part

Item	Original Part Number	Replaced By	Status	Part Description
1	<a href="#">500338</a>			Housing-10 Position
2	00255		Not Available	(1/4 INCH-FOR (1) 12 GAUGE WIR
"	<a href="#">Y00256</a>			Spade Terminal Or
3	<a href="#">Y00188</a>			Molex Terminal
4	<a href="#">283P4</a>			Terminal Extractor Tool
5	<a href="#">190P4</a>			Terminal Extractor Tool