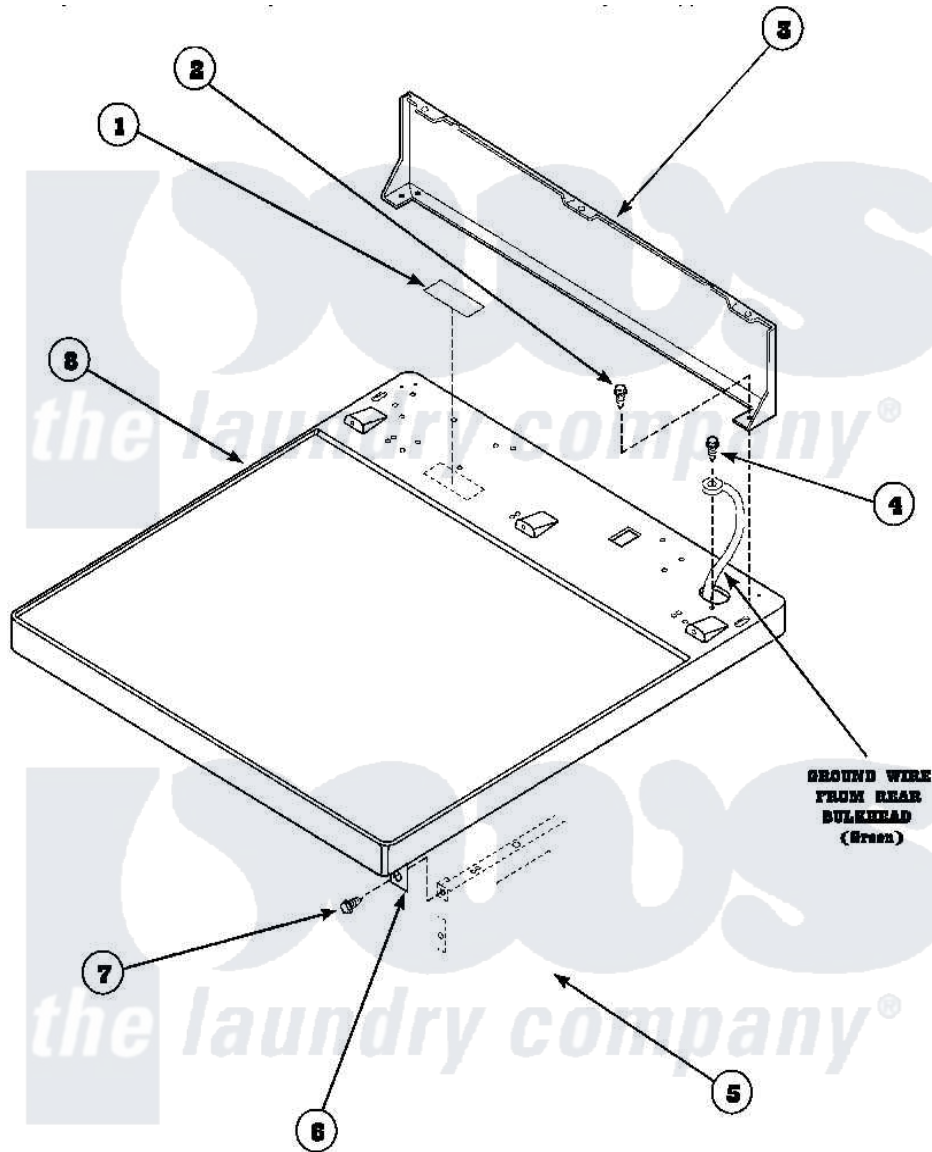


**Amana AEM477L2 (BOM: PAEM477L2) 01 - CABINET TOP AND CONTROL HOOD REAR PANEL**



Amana Residential Amana AEM477L2 (BOM: PAEM477L2) Washer Parts Parts Diagram 01 - CABINET TOP AND CONTROL HOOD REAR PANEL  
 Click on the part number to view part

Item	Original Part Number	Replaced By	Status	Part Description
1	24903		Not Available	STICKER,DISCONNECT POW
2	501086	<a href="#">90767</a>		Screw, 8A X 3/8 HeX Washer Head Tapping
3	500343		Not Available	PANEL,BACK(HOME HOOD)
4	<a href="#">20530</a>			Screw, 10-24 x 3/8 Hex
5	500001P		Not Available	(ADD LETTER BEFORE "P" IN PART
6	500084	<a href="#">40130801</a>		Bracket, Top Mount
7	33562	<a href="#">27001200</a>		Screw
8	500085P		Not Available	(ADD LETTER L-L, W-W TO PART N