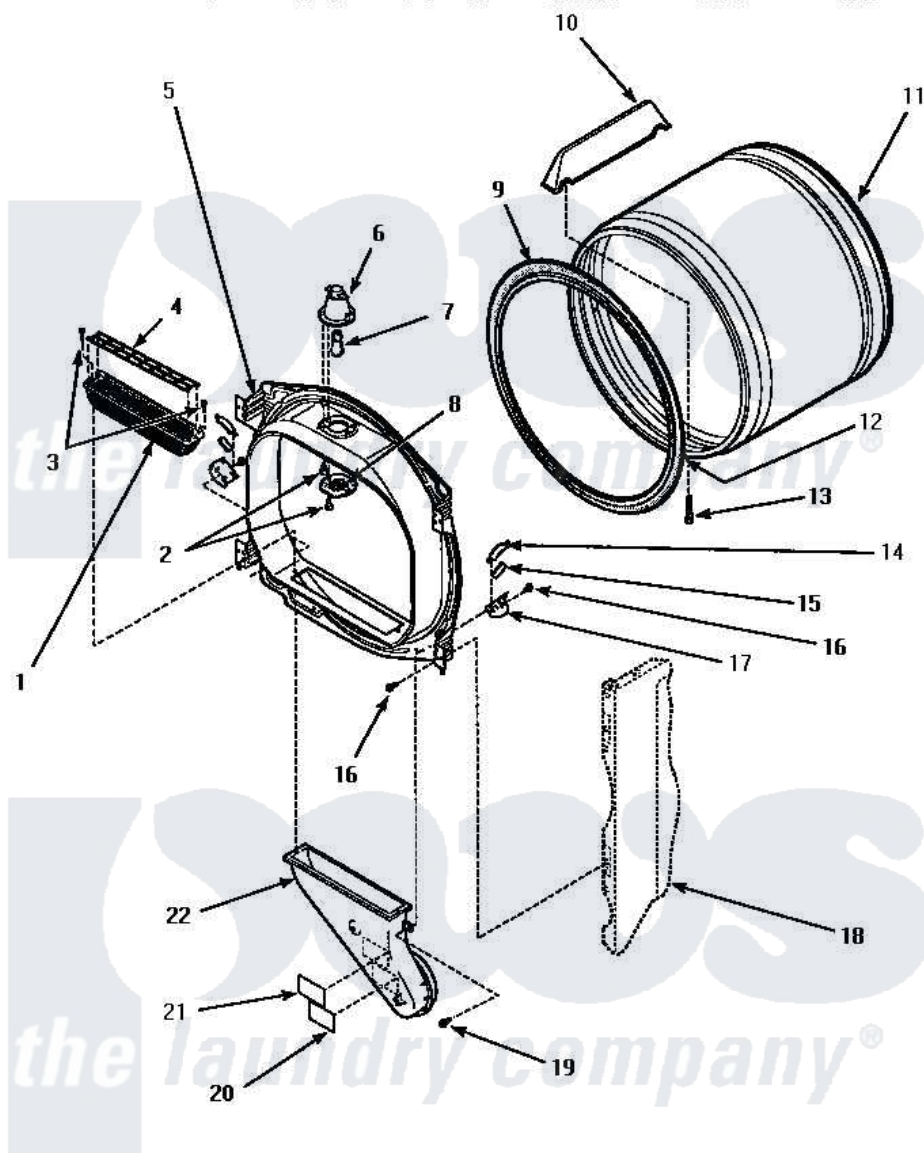


# Amana AEM497L 04 - FR BLKHD, AIR DUCT, FELT SEAL & CYLINDER



## FRONT BULKHEAD, AIR DUCT, FELT SEAL AND CYLINDER

Amana Residential Amana AEM497L Dryer Parts Parts Diagram 04 - FR BLKHD, AIR DUCT, FELT SEAL & CYLINDER  
 Click on the part number to view part

Item	Original Part Number	Replaced By	Status	Part Description
1	<a href="#">502140P</a>			Filter, Lint Kit
"	502093	<a href="#">502140P</a>		Filter, Lint Kit
2	500248	<a href="#">M0211530</a>		Screw-SM No.8-18 X 3/8"
3	<a href="#">500226</a>			Screw, 8b-16 x 5/8 Tap
4	<a href="#">502092</a>			Cover, Lint Filter
5	500117W		Not Available	ASSY,BULKHEAD-FRONT-COMP
9	501801	<a href="#">37001132</a>		Seal, Cylinder
10	500022	<a href="#">510102</a>		Baffle- SH
11	500013WP		Not Available	ASSY,CYLINDER-HOME-
12	22506P	<a href="#">511637P</a>		Adh Dow 737 Clr 3 Oz Tube
13	<a href="#">Y62588</a>			Screw, 10BT-12 X 1 Tap
14	Y501676	<a href="#">37001298</a>		Glide- Dry
15	500121	<a href="#">510189</a>		Pad Felt
16	501668	<a href="#">503688</a>		Screw, 10B-16 X .34 I
17	501554	<a href="#">12002090</a>		Bracket
18	Y00000000		Not Available	SEE NOTE CABINET

19	Y31645	<a href="#">27001200</a>	Screw
20	56259	Not Available	STICKER
21	500049	Not Available	STICKER
22	500241	Not Available	DUCT, HEAT

