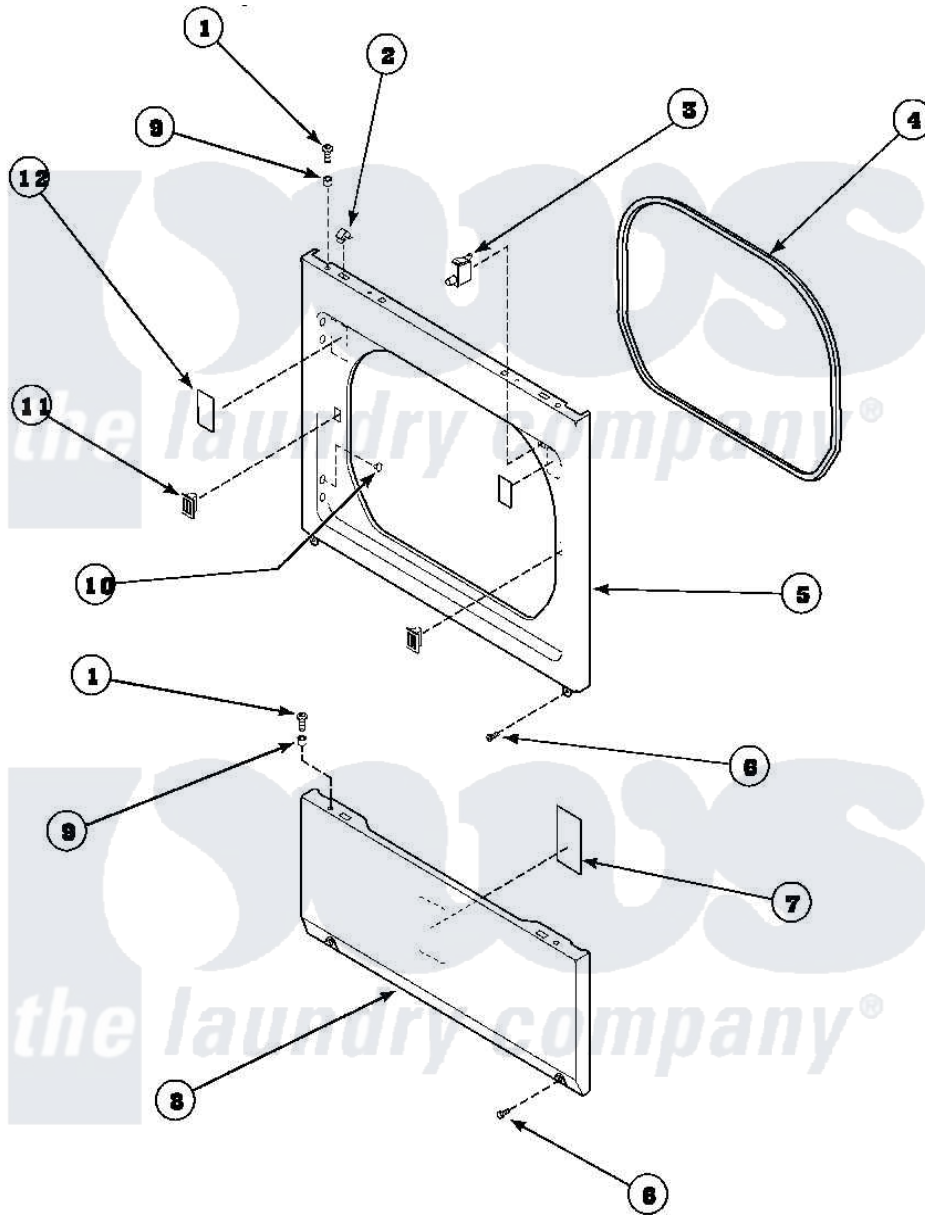


**Amana AEM497W2 (BOM: PAEM497W2) 12 - LOWER ACCESS PANEL, FRONT PANEL AND SEAL**



Amana [Residential Amana AEM497W2 \(BOM: PAEM497W2\) Dryer Parts](#) Parts Diagram 12 - LOWER ACCESS PANEL, FRONT PANEL AND SEAL  
 Click on the part number to view part

Item	Original Part Number	Replaced By	Status	Part Description
1	32671	<a href="#">Y014874</a>		Screw, Idler Arm And Sleeve
2	28835	<a href="#">22001650</a>		Fastener, Spring
3	Y62872	<a href="#">W10169313</a>		Switch-Dor
4	<a href="#">500034</a>			Seal, Front Panel
5	500033		Not Available	FRONT PANEL
6	33562	<a href="#">27001200</a>		Screw
7	500670		Not Available	STICKER NG OR MIXED GA
8	500044		Not Available	LOWER ACCESS PANEL
9	56079	<a href="#">505187</a>		Locator, Panel
10	500227	<a href="#">505295</a>		Screw, No.8ab-16 x 3/4 PH
11	54660	<a href="#">LA-1003</a>		Door Catch Kit
12	500281		Not Available	STICKER