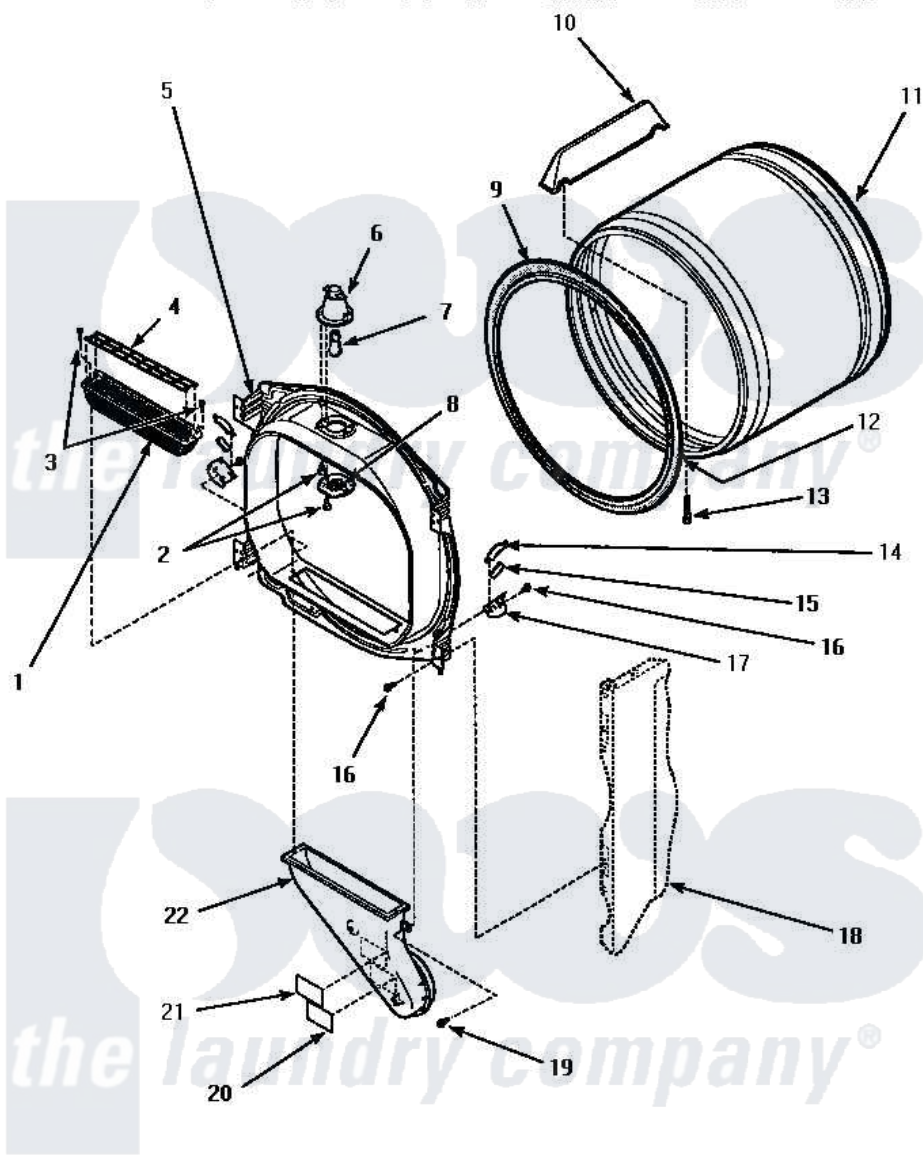


Amana AEM697L 04 - FR BLKHD, AIR DUCT, FELT SEAL & CYLINDER



FRONT BULKHEAD, AIR DUCT, FELT SEAL AND CYLINDER

Amana Residential Amana AEM697L Dryer Parts Parts Diagram 04 - FR BLKHD, AIR DUCT, FELT SEAL & CYLINDER
 Click on the part number to view part

| Item | Original Part Number | Replaced By | Status | Part Description |
|------|-------------------------|--------------------------|---------------|-----------------------------------|
| 1 | 502140P | | | Filter, Lint Kit |
| " | 502093 | 502140P | | Filter, Lint Kit |
| 2 | 500248 | M0211530 | | Screw-SM No.8-18 X 3/8" |
| 3 | 500226 | | | Screw, 8b-16 x 5/8 Tap |
| 4 | 502092 | | | Cover, Lint Filter |
| 5 | 500016W | | | Assembly, Bulkhead Front Complete |
| 6 | 500153 | | Not Available | CYLINDER LIGHT HOUSING |
| 7 | Y60954 | 67001316 | | Bulb, Light |
| 8 | 500094 | | Not Available | LENS,DRUM LIGHT |
| 9 | 501801 | 37001132 | | Seal, Cylinder |
| 10 | 500022 | 510102 | | Baffle- SH |
| 11 | 500013WP | | Not Available | ASSY,CYLINDER-HOME- |
| 12 | 22506P | 511637P | | Adh Dow 737 Clr 3 Oz Tube |
| 13 | Y62588 | | | Screw, 10BT-12 X 1 Tap |
| 14 | Y501676 | 37001298 | | Glide- Dry |
| 15 | 500121 | 510189 | | Pad Felt |

| | | | |
|----|-----------|--------------------------|-----------------------|
| 16 | 501668 | 503688 | Screw, 10B-16 X .34 I |
| 17 | 501554 | 12002090 | Bracket |
| 18 | Y00000000 | Not Available | SEE NOTE CABINET |
| 19 | Y31645 | 27001200 | Screw |
| 20 | 56259 | Not Available | STICKER |
| 21 | 500049 | Not Available | STICKER |
| 22 | 500241 | Not Available | DUCT, HEAT |

