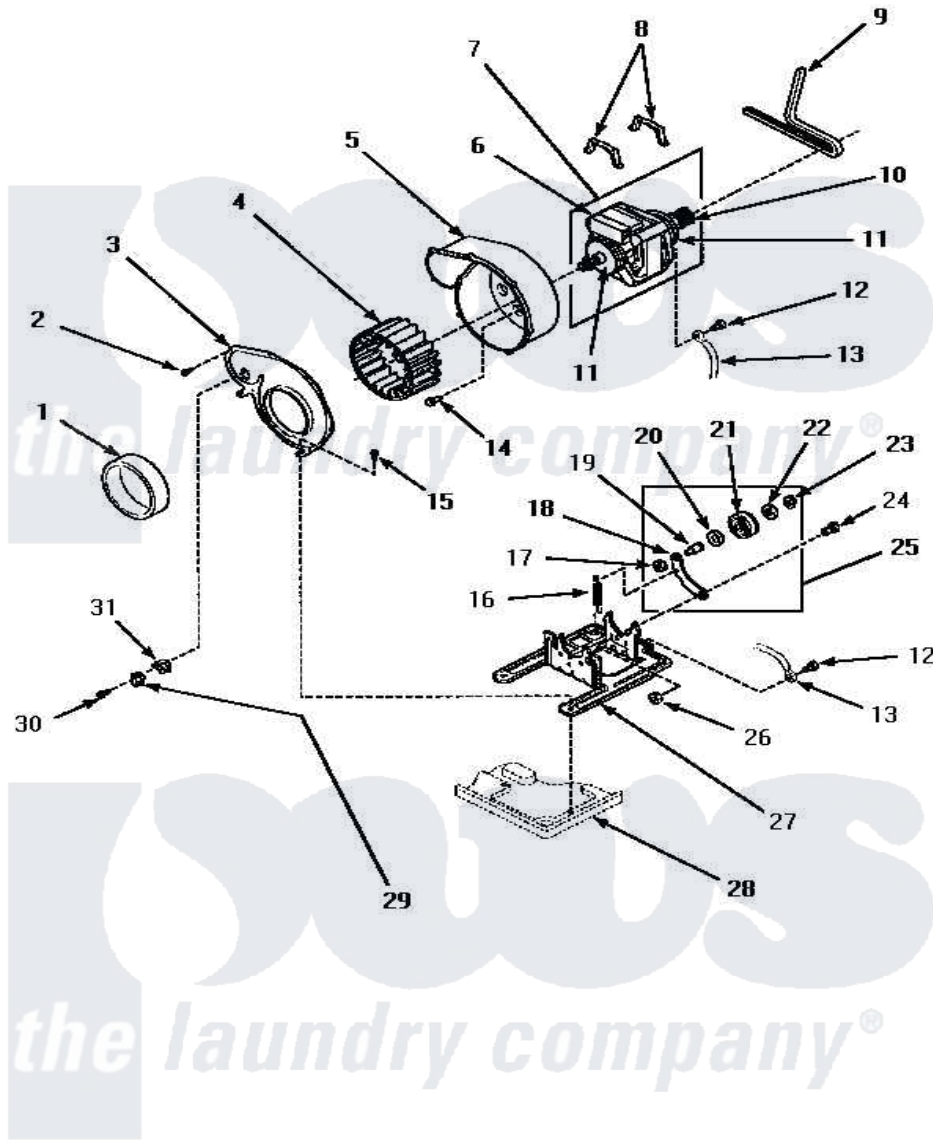


Amana AEM697L 10 - MOTOR, EXHAUST FAN & BELT



MOTOR, EXHAUST FAN AND BELT

Amana [Residential Amana AEM697L Dryer Parts](#) Parts Diagram 10 - MOTOR, EXHAUST FAN & BELT
 Click on the part number to view part

| Item | Original Part Number | Replaced By | Status | Part Description |
|------|------------------------|--------------------------|---------------|--|
| 1 | 500313 | | | Seal, Blower Housing |
| 2 | 31260 | | | Screw, No.8 X 3/8 Ind H |
| 3 | 500078 | 511969P | | Kit Blower Housing And Cover |
| 4 | 56000 | 510139P | | Assembly Blower Fan Package |
| 5 | 56020 | | | Housing, Blower |
| 6 | 501218 | | Not Available | MOTOR SWITCH (DOES NOT INCLUDE THERMAL PROT |
| 7 | 501211 | 2200376 | | Motor |
| 8 | Y58047 | 660658 | | Clamp, Motor Mounting 343481 685441 |
| 9 | 59174 | 40111201 | | Belt, Cylinder |
| 10 | 500011 | | | Pulley, Motor |
| 11 | 58044A | | Not Available | MOUNT,MOTOR-LOCKING |
| 12 | 20530 | | | Screw, 10-24 x 3/8 Hex |
| 13 | Y00000000 | | Not Available | SEE NOTE GROUND WIRE FROM MOTOR TO MOUNTING BRACKET, GREEN |

| | | | |
|----|------------------------|--------------------------|--|
| 14 | Y31645 | 27001200 | Screw |
| 15 | 33562 | 27001200 | Screw |
| 16 | 56076 | | Spring, Idler |
| 17 | 56156 | 358160 | Nut |
| 18 | 500910 | 37001144 | Assembly- Idler |
| 19 | 56461 | | Shaft |
| 20 | 52549 | | Washer, 501 ID X3/4 Odx |
| 21 | Y54414 | | Assembly, Wheel And Bearing |
| 22 | 52549 | | Washer, 501 ID X3/4 Odx |
| 23 | 23748 | | Ring, Retaining |
| 24 | 500824 | | Screw, 1/4-20 Unc Hex |
| 25 | 500269 | 37001287 | Assembly, Idler Lever/Shaft/Pulley |
| 26 | 52566 | 27001225 | Nut, Jam Mid Lock 1/4-20 |
| 27 | 500822 | 503613 | Mount, Motor |
| 28 | Y00000000 | | Not Available SEE NOTE BASE |
| 29 | Y61372 | | Thermostat |
| 30 | 501086 | 90767 | Screw, 8A X 3/8 HeX Washer Head Tapping |
| 31 | 61401 | 61623 | Thermostat, Heater-BR |

