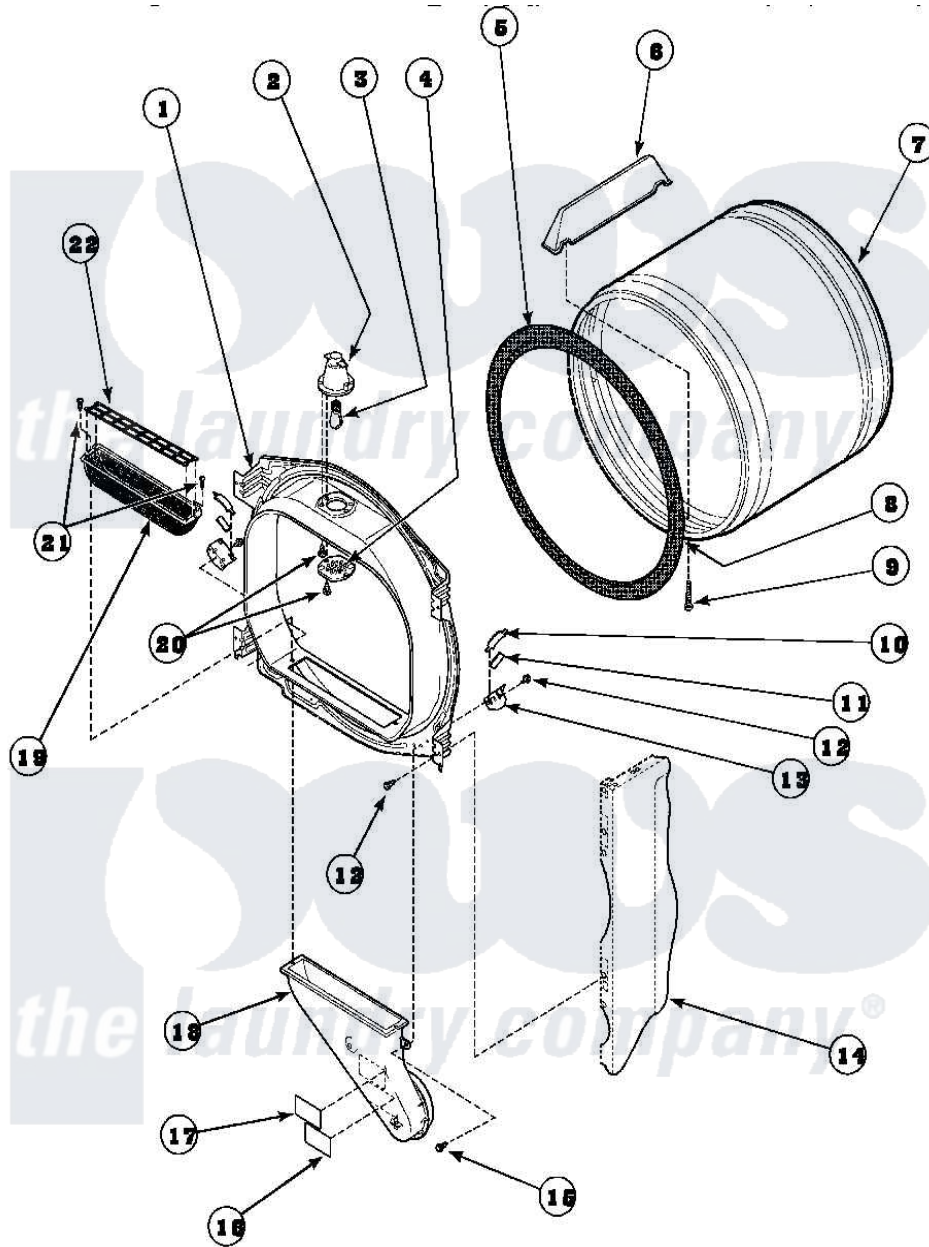


**Amana AEM697L2 (BOM: PAEM697L2) 03 - FR BLKHD, AIR DUCT, FELT SEAL & CYLINDER**



Amana Residential Amana AEM697L2 (BOM: PAEM697L2) Dryer Parts Parts Diagram 03 - FR BLKHD, AIR DUCT, FELT SEAL & CYLINDER  
 Click on the part number to view part

Item	Original Part Number	Replaced By	Status	Part Description
1	<a href="#">500016W</a>			Assembly, Bulkhead Front Complete
"	500117W		Not Available	ASSY,BULKHEAD-FRONT-COMP
2	500153		Not Available	CYLINDER LIGHT HOUSING
3	Y60954	<a href="#">67001316</a>		Bulb, Light
4	500094		Not Available	LENS,DRUM LIGHT
5	501801	<a href="#">37001132</a>		Seal, Cylinder
6	500022	<a href="#">510102</a>		Baffle- SH
7	500013WP		Not Available	ASSY,CYLINDER-HOME-
8	22506P	<a href="#">511637P</a>		Adh Dow 737 Clr 3 Oz Tube
9	<a href="#">Y62588</a>			Screw, 10BT-12 X 1 Tap
10	Y501676	<a href="#">37001298</a>		Glide- Dry
11	500121	<a href="#">510189</a>		Pad Felt
12	501668	<a href="#">503688</a>		Screw, 10B-16 X .34 I

13	501554	<a href="#">12002090</a>	Bracket
14	<a href="#">500070</a>		Base, Dryer
15	Y31645	<a href="#">27001200</a>	Screw
16	56259		Not Available STICKER
17	500049		Not Available STICKER
18	502231		Not Available DUCT, HEAT
19	<a href="#">502140P</a>		Filter, Lint Kit
20	500227	<a href="#">505295</a>	Screw, No.8ab-16 x 3/4 PH
21	<a href="#">500226</a>		Screw, 8b-16 x 5/8 Tap
22	<a href="#">502092</a>		Cover, Lint Filter

