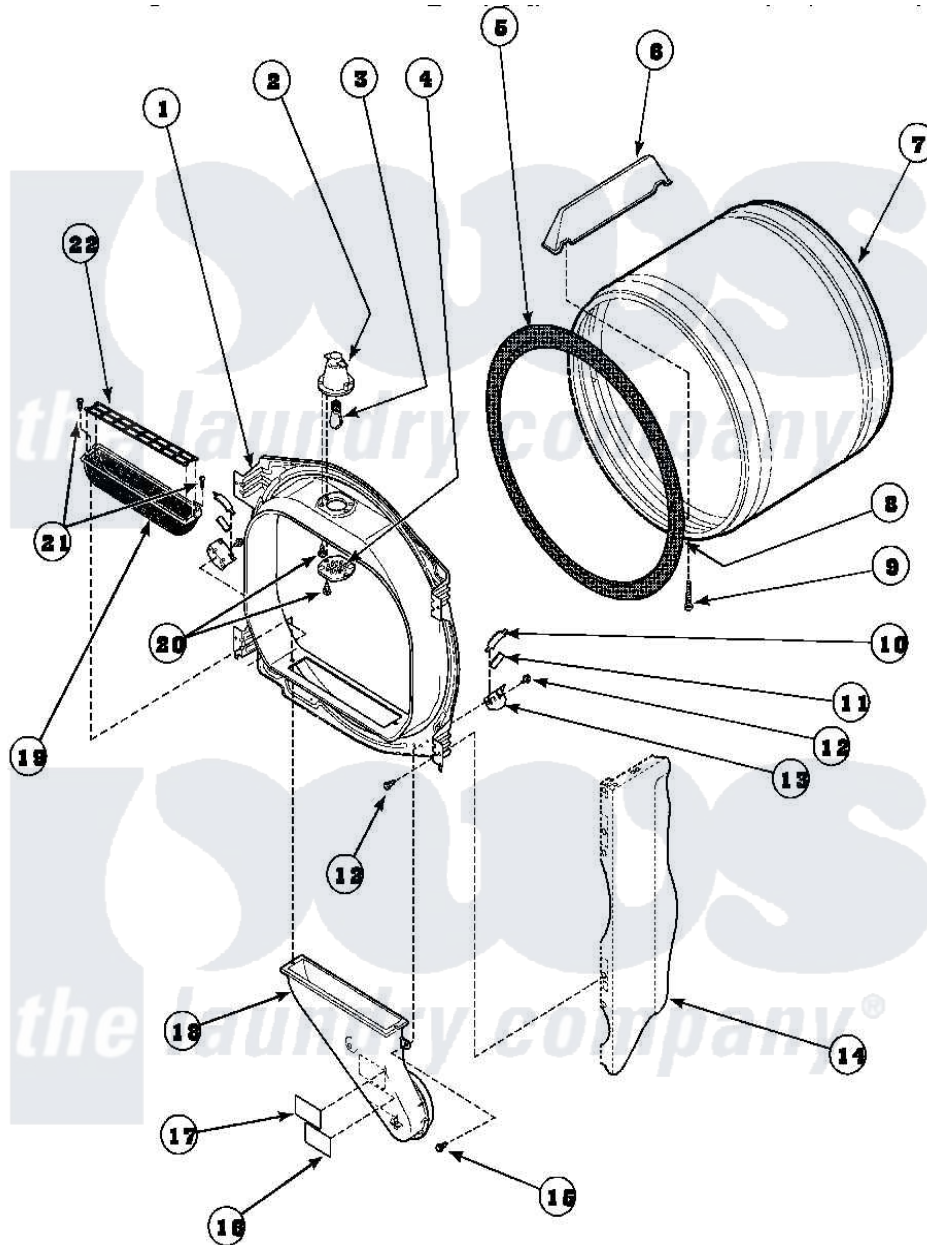


**Amana AEM697W2 (BOM: PAEM697W2) 03 - FR BLKHD, AIR DUCT, FELT SEAL & CYLINDER**



Amana Residential Amana AEM697W2 (BOM: PAEM697W2) Dryer Parts Parts Diagram 03 - FR BLKHD, AIR DUCT, FELT SEAL & CYLINDER  
 Click on the part number to view part

| Item | Original Part Number    | Replaced By              | Status        | Part Description                  |
|------|-------------------------|--------------------------|---------------|-----------------------------------|
| 1    | <a href="#">500016W</a> |                          |               | Assembly, Bulkhead Front Complete |
| "    | 500117W                 |                          | Not Available | ASSY,BULKHEAD-FRONT-COMP          |
| 2    | 500153                  |                          | Not Available | CYLINDER LIGHT HOUSING            |
| 3    | Y60954                  | <a href="#">67001316</a> |               | Bulb, Light                       |
| 4    | 500094                  |                          | Not Available | LENS,DRUM LIGHT                   |
| 5    | 501801                  | <a href="#">37001132</a> |               | Seal, Cylinder                    |
| 6    | 500022                  | <a href="#">510102</a>   |               | Baffle- SH                        |
| 7    | 500013WP                |                          | Not Available | ASSY,CYLINDER-HOME-               |
| 8    | 22506P                  | <a href="#">511637P</a>  |               | Adh Dow 737 Clr 3 Oz Tube         |
| 9    | <a href="#">Y62588</a>  |                          |               | Screw, 10BT-12 X 1 Tap            |
| 10   | Y501676                 | <a href="#">37001298</a> |               | Glide- Dry                        |
| 11   | 500121                  | <a href="#">510189</a>   |               | Pad Felt                          |
| 12   | 501668                  | <a href="#">503688</a>   |               | Screw, 10B-16 X .34 I             |

|    |                         |                          |               |                           |
|----|-------------------------|--------------------------|---------------|---------------------------|
| 13 | 501554                  | <a href="#">12002090</a> | Bracket       |                           |
| 14 | <a href="#">500070</a>  |                          | Base, Dryer   |                           |
| 15 | Y31645                  | <a href="#">27001200</a> | Screw         |                           |
| 16 | 56259                   |                          | Not Available | STICKER                   |
| 17 | 500049                  |                          | Not Available | STICKER                   |
| 18 | 502231                  |                          | Not Available | DUCT, HEAT                |
| 19 | <a href="#">502140P</a> |                          |               | Filter, Lint Kit          |
| 20 | 500227                  | <a href="#">505295</a>   |               | Screw, No.8ab-16 x 3/4 PH |
| 21 | <a href="#">500226</a>  |                          |               | Screw, 8b-16 x 5/8 Tap    |
| 22 | <a href="#">502092</a>  |                          |               | Cover, Lint Filter        |

