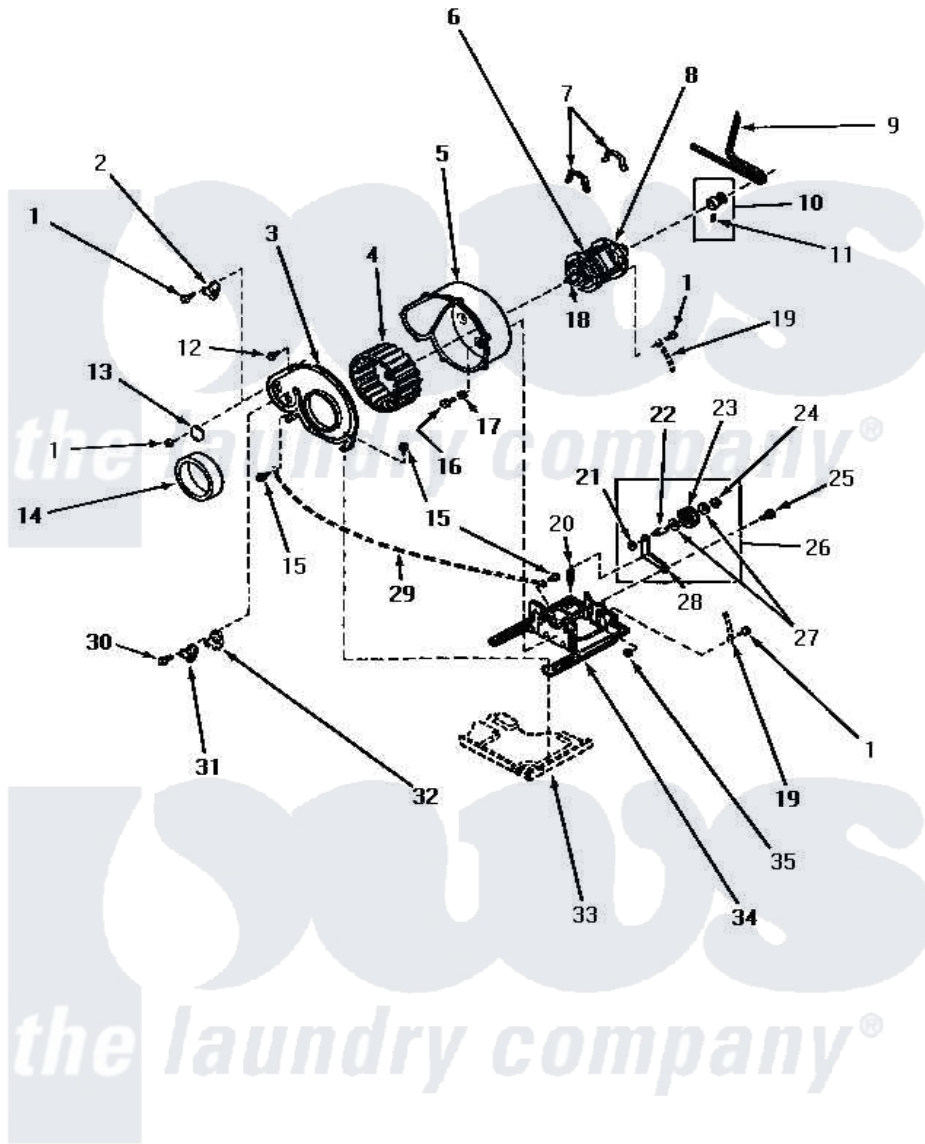


Amana AG9239 09 - MOTOR, EXHAUST FAN & BELT



MOTOR, EXHAUST FAN AND BELT

Amana [Residential Amana AG9239 Washer Parts](#) Parts Diagram 09 - MOTOR, EXHAUST FAN & BELT
 Click on the part number to view part

| Item | Original Part Number | Replaced By | Status | Part Description |
|------|-----------------------|---------------------------|---------------|--|
| 3 | 60938P | | Not Available | COVER,BLOWER HOUSING |
| 4 | 56000 | 510139P | | Assembly Blower Fan Package |
| 5 | 56020 | | | Housing, Blower |
| 6 | Y58044 | 915P3 | | Motor-Drve |
| 7 | Y58047 | 660658 | | Clamp, Motor Mounting 343481 685441 |
| 8 | 59895 | | Not Available | MOTOR SWITCH, INTERNAL MOUNTED |
| " | 53226 | | Not Available | SWITCH,MOTOR |
| " | 53249 | | Not Available | SWITCH |
| 9 | 59174 | 40111201 | | Belt, Cylinder |
| 10 | 59173 | | Not Available | MOTOR PULLEY ASSEMBLY |
| 11 | 52906 | | Not Available | SETSCREW |
| 12 | 23962 | W10116760 | | Screw |
| 14 | 56065 | | Not Available | SEAL |
| 15 | 51780 | 3390631 | | Screw, 10-16 X 3/8 |

| | | | | |
|----|------------------------|--------------------------|---------------|--|
| 16 | 33562 | 27001200 | | Screw |
| 17 | 20492 | M0270504 | | Washer |
| 18 | 27604P | | | Never-Seeze 1 Oz Tube |
| 19 | Y00000000 | | Not Available | SEE NOTE GROUND WIRE, GREEN |
| 20 | 56076 | | | Spring, Idler |
| 21 | 56156 | 358160 | | Nut |
| 22 | 56461 | | | Shaft |
| 23 | Y54414 | | | Assembly, Wheel And Bearing |
| 24 | 23748 | | | Ring, Retaining |
| 25 | 56587 | | Not Available | SCREW, 1/4-20 HEX HD SH |
| 26 | Y56170 | 56170P | | Assembly- Idle |
| 27 | 52549 | | | Washer, 501 ID X3/4 Odx |
| 28 | 56057 | | Not Available | LEVER, IDLER |
| 29 | Y00000000 | | Not Available | SEE NOTE GROUND WIRE, GREEN -- (THROUGH SERIAL NO. S6181365XA) |
| 30 | 23222 | 3177991 | | Screw |
| 31 | 59500 | | | Assembly, Thermistor |
| 33 | Y00000000 | | Not Available | SEE NOTE BASE |
| 34 | Y60816 | 503613 | | Mount, Motor |
| 35 | 52566 | 27001225 | | Nut, Jam Mid Lock 1/4-20 |

