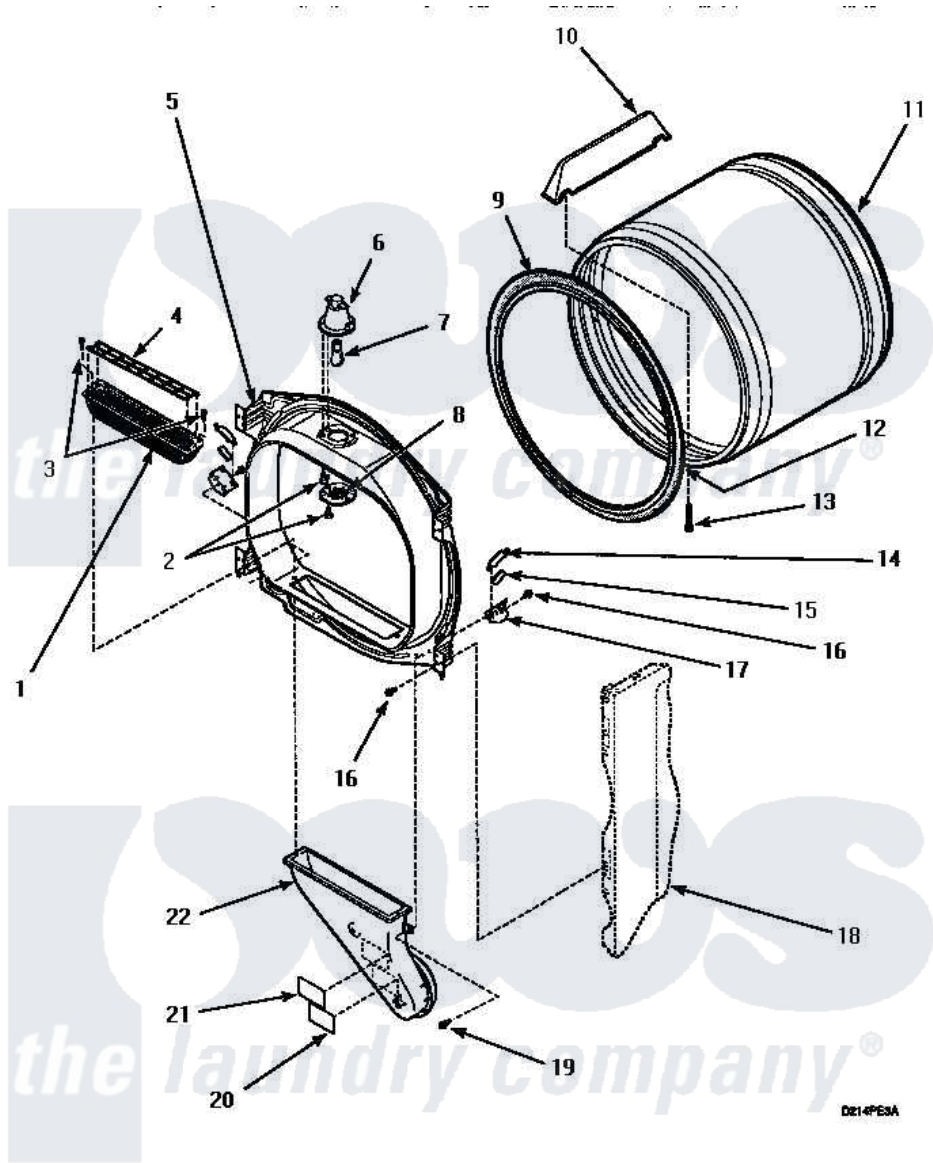


Amana AGM199 04 - FR BLKHD, AIR DUCT, FELT SEAL & CYLINDER



FRONT BULKHEAD, AIR DUCT, FELT SEAL AND CYLINDER

Amana [Residential Amana AGM199 Washer Parts](#) Parts Diagram 04 - FR BLKHD, AIR DUCT, FELT SEAL & CYLINDER

[Click on the part number to view part](#)

Item	Original Part Number	Replaced By	Status	Part Description
1	502140P			Filter, Lint Kit
"	502093	502140P		Filter, Lint Kit
2	500248	M0211530		Screw-SM No.8-18 X 3/8"
3	500226			Screw, 8b-16 x 5/8 Tap
4	502092			Cover, Lint Filter
5	500091		Not Available	FRONT BULKHEAD UNPAINTED
9	501801	37001132		Seal, Cylinder
10	500022	510102		Baffle- SH
11	500095P		Not Available	ASSY,CYLINDER
12	22506P	511637P		Adh Dow 737 Clr 3 Oz Tube
13	Y62588			Screw, 10BT-12 X 1 Tap
14	Y501676	37001298		Glide- Dry
15	500121	510189		Pad Felt
16	501668	503688		Screw, 10B-16 X .34 I
17	501554	12002090		Bracket

18	Y0000000		Not Available	SEE NOTE CABINET
19	Y31645	27001200		Screw
20	56259		Not Available	STICKER
21	500049		Not Available	STICKER
22	500241		Not Available	DUCT, HEAT

