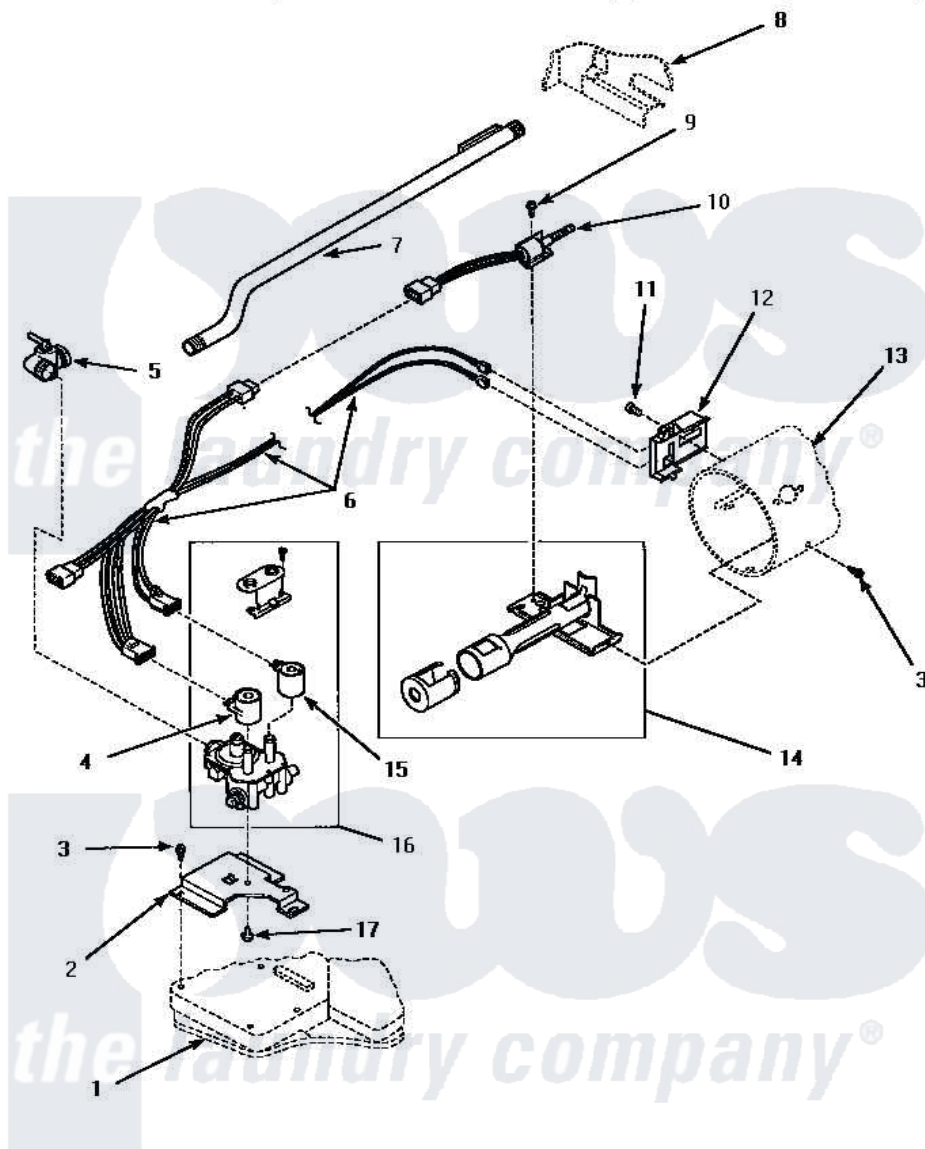


# Amana AGM199 05 - GAS VALVE, IGNITER & GAS CONVERSION KITS



## GAS VALVE, IGNITER AND GAS CONVERSION KITS (Gas Model Dryers)

Amana [Residential Amana AGM199 Washer Parts](#) Parts Diagram 05 - GAS VALVE, IGNITER & GAS CONVERSION KITS

[Click on the part number to view part](#)

| Item | Original Part Number   | Replaced By              | Status        | Part Description            |
|------|------------------------|--------------------------|---------------|-----------------------------|
| 1    | Y00000000              |                          | Not Available | SEE NOTE BASE               |
| 2    | <a href="#">500821</a> |                          |               | Bracket, Mounting-Gas       |
| 3    | 501668                 | <a href="#">503688</a>   |               | Screw, 10B-16 X .34 I       |
| 4    | 58804A                 | <a href="#">306106</a>   |               | Coil, Holding And Booster-W |
| 5    | Y56229                 | <a href="#">510205</a>   |               | Valve-Elbo                  |
| 6    | 60641                  | <a href="#">37001007</a> |               | Harness, Wire               |
| 7    | 500647                 | <a href="#">510204</a>   |               | Pipe                        |
| 8    | Y00000000              |                          | Not Available | SEE NOTE CABINET            |
| 9    | 51782                  |                          | Not Available | SCREW, 6B-20X5/16           |
| 10   | 60868                  | <a href="#">37001308</a> |               | Ignitor                     |
| 11   | 23222                  | <a href="#">3177991</a>  |               | Screw                       |
| 12   | Y56231                 | <a href="#">338906</a>   |               | Radiant, Sensor             |
| 13   | Y00000000              |                          | Not Available | SEE NOTE BURNER HOUSING     |
| 14   | Y56234                 | <a href="#">37001304</a> |               | Burner Ign                  |
| 15   | 58804B                 | <a href="#">694540</a>   |               | Coil, 60 Hz                 |

|    |                       |                         |                                   |
|----|-----------------------|-------------------------|-----------------------------------|
| 16 | <a href="#">58804</a> |                         | Assembly, Valve-Gas-Single-       |
| 17 | 56124                 | <a href="#">3370225</a> | Screw                             |
| NI | 58768                 | <a href="#">402P3</a>   | Kit, Conversion-NG                |
| "  | 58754                 | <a href="#">401P3</a>   | Kit, Conversion-LP                |
| "  | 58719                 | <a href="#">402P3</a>   | Kit, Conversion-NG                |
| "  | 60521                 | Not Available           | STICKER,NG OR MIXED GAS           |
| "  | <a href="#">60516</a> |                         | Sticker, Valve Converted          |
| "  | 60520                 | Not Available           | STICKER,LP GAS                    |
| "  | 58755                 | <a href="#">401P3</a>   | Kit, Conversion-LP                |
| "  | 61505                 | Not Available           | CONVERSION PLATE                  |
| "  | <a href="#">401P3</a> |                         | Kit, Conversion-LP                |
| "  | <a href="#">402P3</a> |                         | Kit, Conversion-NG                |
| "  | <a href="#">61504</a> |                         | Conversion Plate                  |
| "  | <a href="#">60517</a> |                         | Valve Converted To LP Gas<br>Stic |

