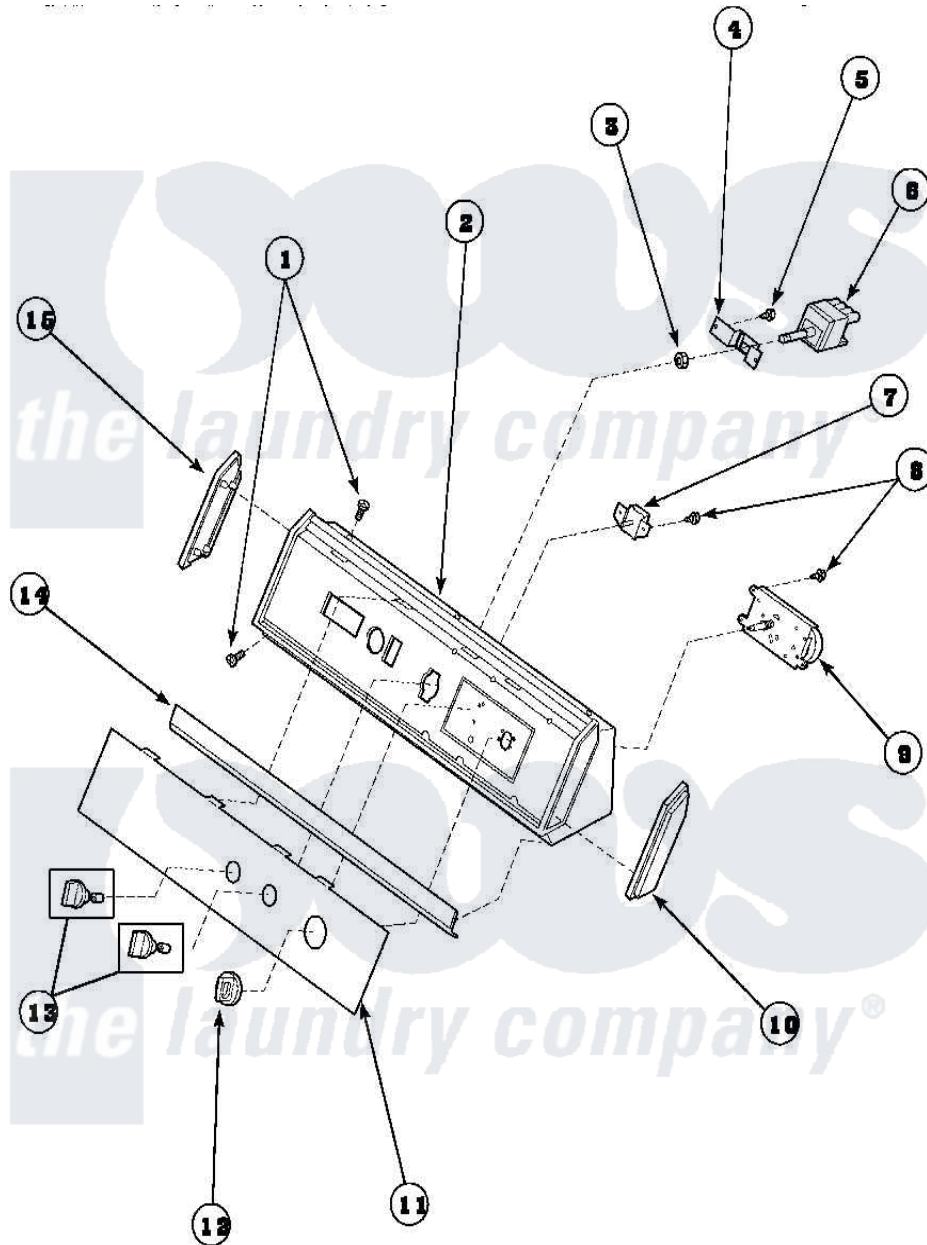


**Amana AGM409L2 (BOM: PAGM409L2) 06 - GRAPHIC PANEL, CONTROL HOOD AND CONTROLS**



Amana Residential Amana AGM409L2 (BOM: PAGM409L2) Dryer Parts Parts Diagram 06 - GRAPHIC PANEL, CONTROL HOOD AND CONTROLS  
 Click on the part number to view part

Item	Original Part Number	Replaced By	Status	Part Description
1	32993		Not Available	SCREW, No.8ABX3/4 POZIDRI
"	31752		Not Available	SCREW, No.8ABX3/4 POZIDRI
2	62745	<a href="#">660966</a>		Switch-WL
"	59937		Not Available	ASSY, HOOD MTG
3	57584		Not Available	NUT
4	<a href="#">59704</a>			Bracket, Switch Mount
5	<a href="#">31260</a>			Screw, No.8 X 3/8 Ind H
6	Y61511		Not Available	SWITCH,FABRIC SELECTOR
7	<a href="#">500823</a>			Signal, Rotary
8	501086	<a href="#">90767</a>		Screw, 8A X 3/8 HeX Washer Head Tapping
9	<a href="#">502963</a>			Timer, 3 Cycle
10	<a href="#">31248</a>			Cap, End-RH-Chrome
11	502203		Not Available	PANEL, GRAPHICS GRAY

"	502201	Not Available	GRAPHIC PANEL MODELS
12	62234	Not Available	ASSY,TIMER KNOB & SKIRT WHITE
"	62176	Not Available	ASSY,TIMER KNOB & SKIR
13	<a href="#">33610</a>		Assembly, Knob-Rotary-Black
"	33688	<a href="#">36701W</a>	Knob
14	61849R	Not Available	TRIM, CONT PNL TOP
15	31249	Not Available	CAP,END-L.H.-CHROME

