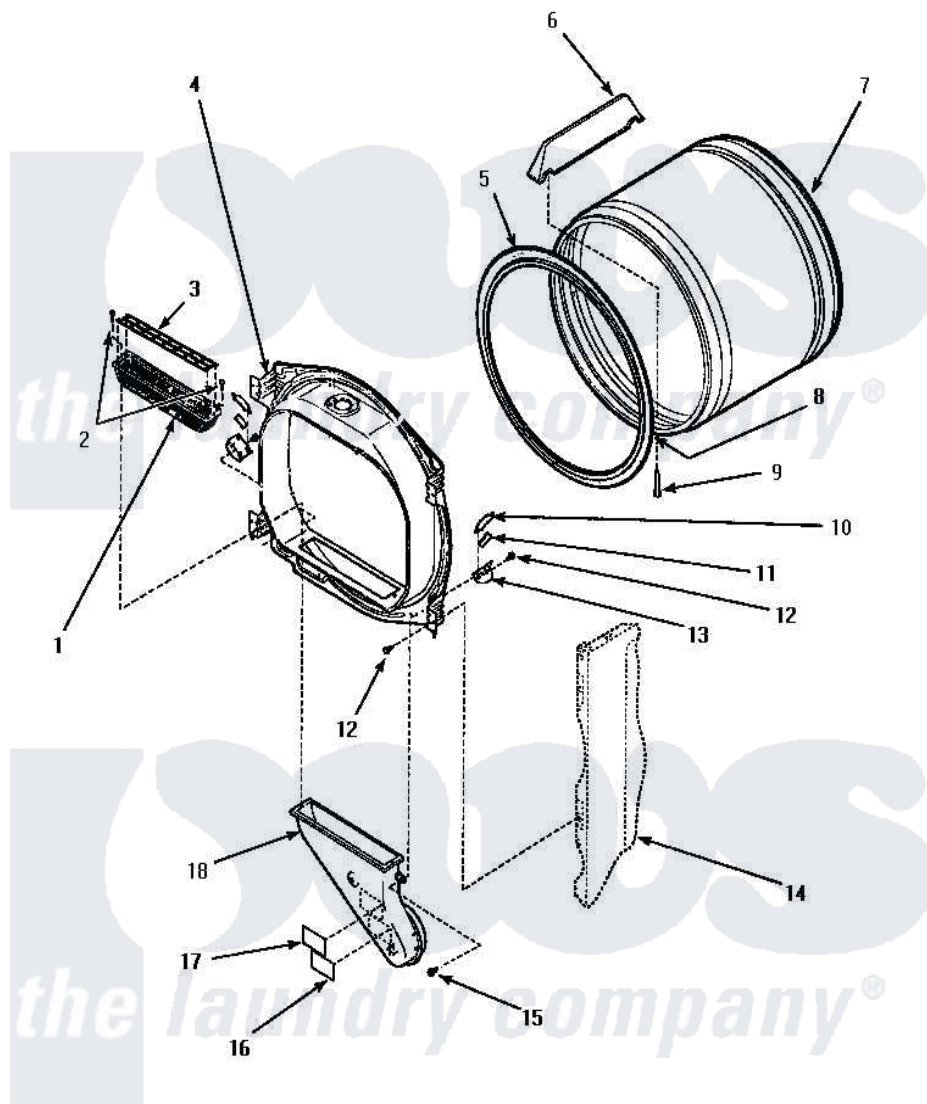


Amana AGM429W2 04 - FR BLKHD, AIR DUCT, FELT SEAL & CYLINDER



FRONT BULKHEAD, AIR DUCT, FELT SEAL AND CYLINDER

Amana [Residential Amana AGM429W2 Dryer Parts](#) Parts Diagram 04 - FR BLKHD, AIR DUCT, FELT SEAL & CYLINDER

[Click on the part number to view part](#)

Item	Original Part Number	Replaced By	Status	Part Description
1	502140P			Filter, Lint Kit
2	500226			Screw, 8b-16 x 5/8 Tap
3	502092			Cover, Lint Filter
4	500117W		Not Available	ASSY, BULKHEAD-FRONT-COMP
5	501801	37001132		Seal, Cylinder
6	500022	510102		Baffle- SH
7	500013WP		Not Available	ASSY, CYLINDER-HOME-
8	22506P	511637P		Adh Dow 737 Clr 3 Oz Tube
9	Y62588			Screw, 10BT-12 X 1 Tap
10	Y501676	37001298		Glide- Dry
11	500121	510189		Pad Felt
12	501668	503688		Screw, 10B-16 X .34 I
13	501554	12002090		Bracket
14	Y00000000		Not Available	SEE NOTE CABINET -- (SEE CABINET PAGE)

15	Y31645	27001200	Screw
16	56259	Not Available	STICKER
17	500049	Not Available	STICKER
18	502231	Not Available	DUCT, HEAT

