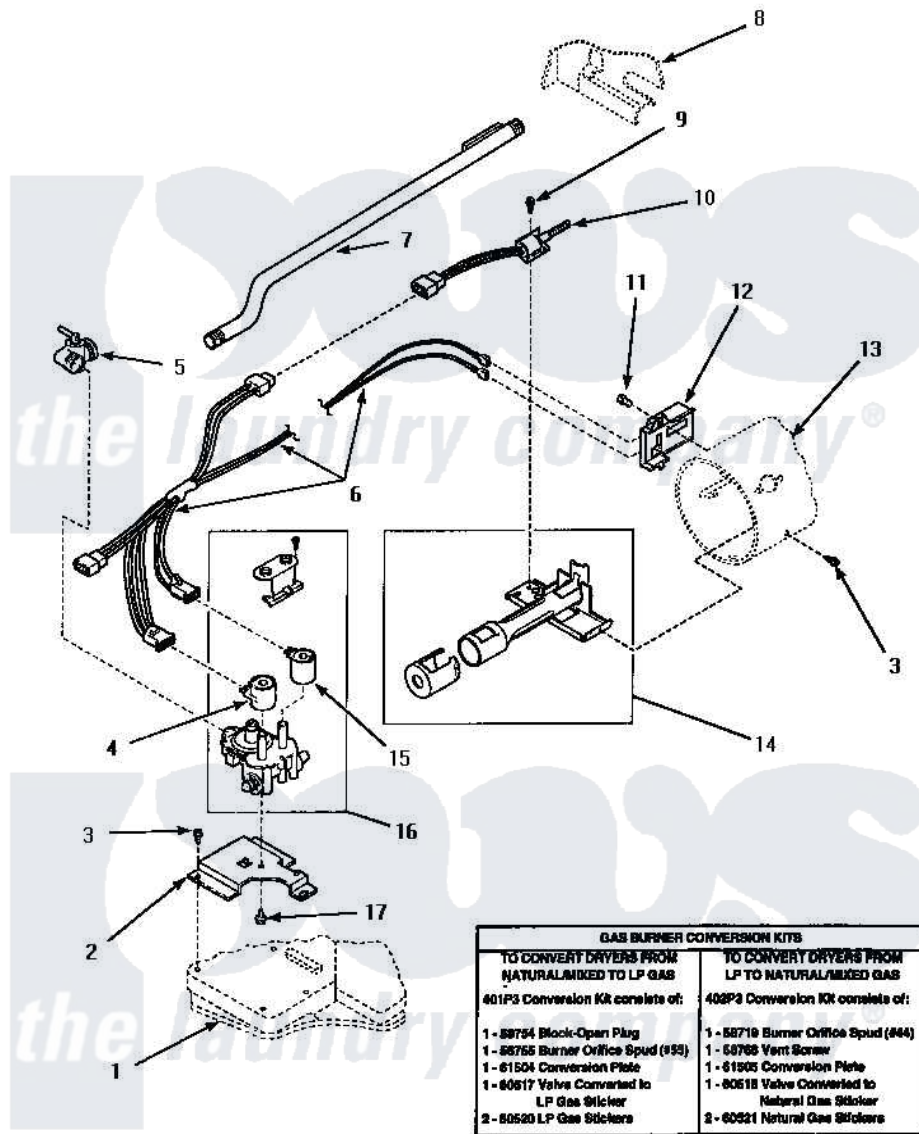


Amana AGM429W2 05 - GAS VALVE, IGNITER & GAS CONVERSION KITS



GAS VALVE, IGNITER AND GAS CONVERSION KITS

Amana [Residential Amana AGM429W2 Dryer Parts](#) Parts Diagram 05 - GAS VALVE, IGNITER & GAS CONVERSION KITS

[Click on the part number to view part](#)

Item	Original Part Number	Replaced By	Status	Part Description
1	Y00000000		Not Available	SEE NOTE BASE -- (SEE CABINET PAGE)
2	500821			Bracket, Mounting-Gas
3	501668	503688		Screw, 10B-16 X .34 I
4	58804A	306106		Coil, Holding And Booster--W
5	Y56229	510205		Valve-Elbo
6	60641	37001007		Harness, Wire
7	500647	510204		Pipe
8	Y00000000		Not Available	SEE NOTE CABINET -- (SEE CABINET PAGE)
9	51782		Not Available	SCREW, 6B-20X5/16
10	60868	37001308		Ignitor
11	23222	3177991		Screw
12	Y56231	338906		Radiant, Sensor
13	Y00000000		Not Available	SEE NOTE BURNER HOUSING -- (SEE HEATER BOX ASSEMBLY ORIGINAL PAGE)

14	Y56234	37001304	Burner Ign
15	58804B	694540	Coil, 60 Hz
16	58804		Assembly, Valve-Gas-Single-
17	56124	3370225	Screw
NI	58768	402P3	Kit, Conversion-NG
"	58754	401P3	Kit, Conversion-LP
"	58719	402P3	Kit, Conversion-NG
"	60521	Not Available	STICKER,NG OR MIXED GAS
"	60516		Sticker, Valve Converted
"	60520	Not Available	STICKER,LP GAS
"	58755	401P3	Kit, Conversion-LP
"	61505	Not Available	CONVERSION PLATE
"	401P3		Kit, Conversion-LP
"	402P3		Kit, Conversion-NG
"	61504		Conversion Plate
"	60517		Valve Converted To LP Gas Stic

