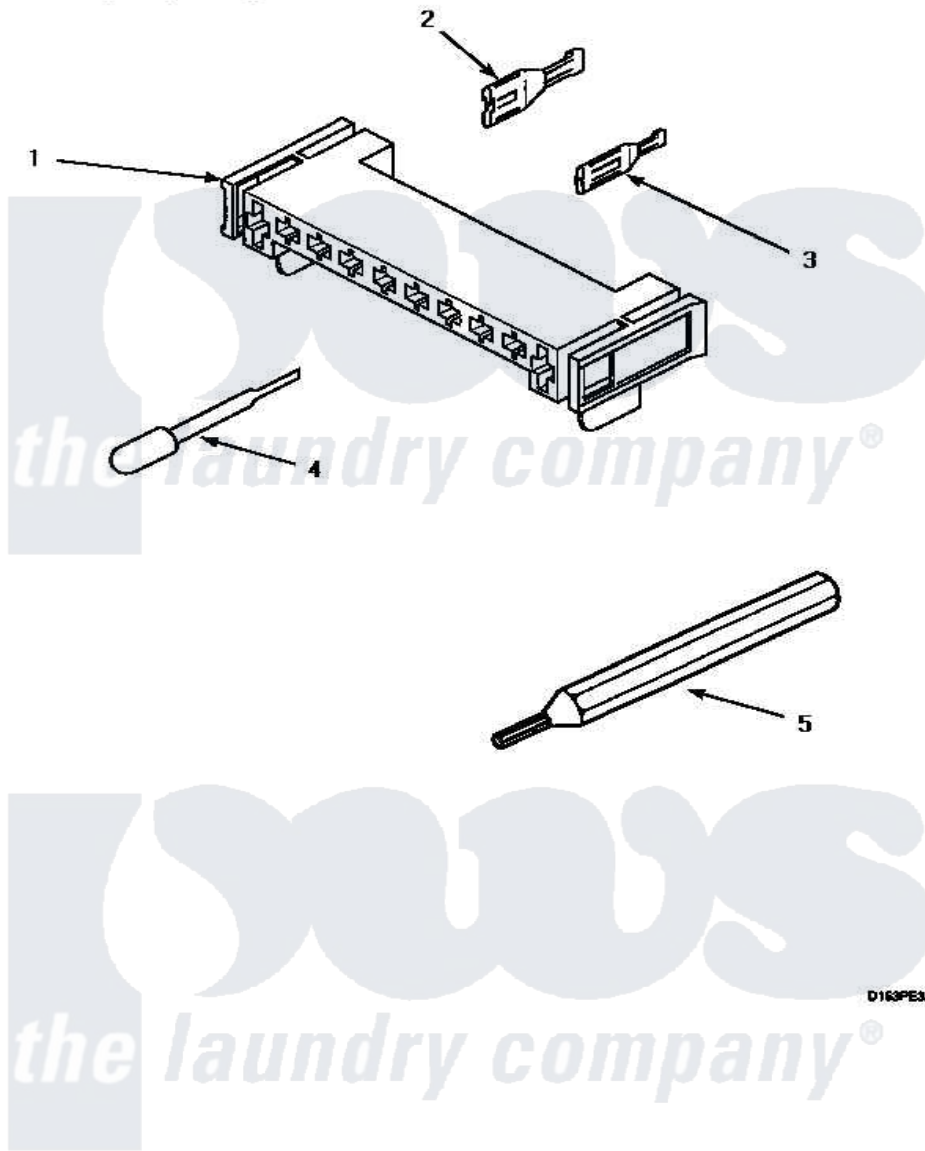


Amana AGM479W 12 - MTR CONN BLOCK/TERM & EXTRACTOR TOOL



D163PE3A

MOTOR CONNECTION BLOCK, TERMINALS AND TERMINAL EXTRACTOR TOOLS

Amana [Residential Amana AGM479W Dryer Parts](#) Parts Diagram 12 - MTR CONN BLOCK/TERM & EXTRACTOR TOOL

[Click on the part number to view part](#)

| Item | Original Part Number | Replaced By | Status | Part Description |
|------|------------------------|-------------|---------------|--------------------------------|
| 1 | 500338 | | | Housing-10 Position |
| 2 | 00255 | | Not Available | (1/4 INCH-FOR (1) 12 GAUGE WIR |
| " | Y00256 | | | Spade Terminal Or |
| 3 | Y00188 | | | Molex Terminal |
| 4 | 283P4 | | | Terminal Extractor Tool |
| 5 | 128P4 | | Not Available | (FOR USE ON GAS DRYER TERMINAL |