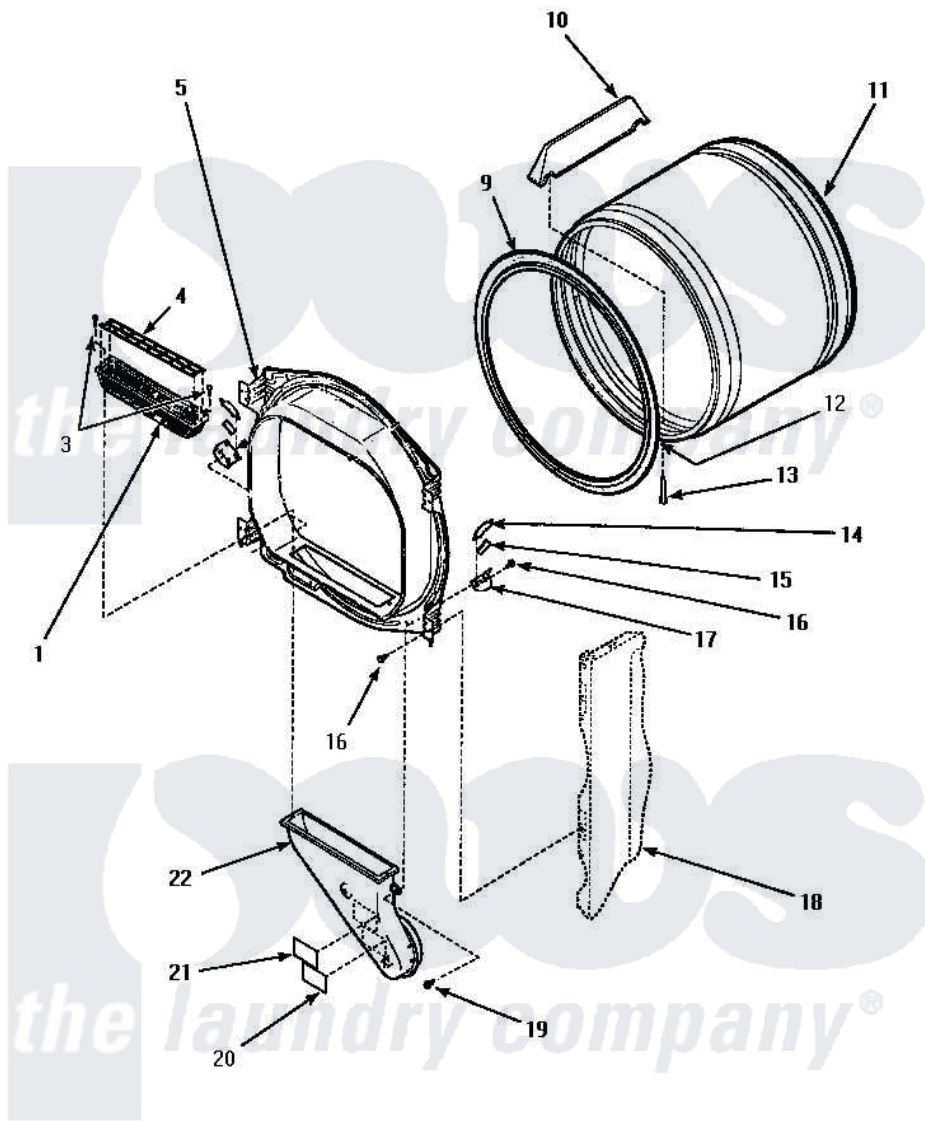


# Amana AGM479W2 04 - FR BLKHD, AIR DUCT, FELT SEAL & CYLINDER



## FRONT BULKHEAD, AIR DUCT, FELT SEAL AND CYLINDER

Amana [Residential Amana AGM479W2 Dryer Parts](#) Parts Diagram 04 - FR BLKHD, AIR DUCT, FELT SEAL & CYLINDER

[Click on the part number to view part](#)

Item	Original Part Number	Replaced By	Status	Part Description
1	<a href="#">502140P</a>			Filter, Lint Kit
2	<a href="#">500226</a>			Screw, 8b-16 x 5/8 Tap
3	<a href="#">502092</a>			Cover, Lint Filter
4	<a href="#">500016W</a>			Assembly, Bulkhead Front Complete
5	501801	<a href="#">37001132</a>		Seal, Cylinder
6	500022	<a href="#">510102</a>		Baffle- SH
7	500013WP		Not Available	ASSY,CYLINDER-HOME-
8	22506P	<a href="#">511637P</a>		Adh Dow 737 Clr 3 Oz Tube
9	<a href="#">Y62588</a>			Screw, 10BT-12 X 1 Tap
10	Y501676	<a href="#">37001298</a>		Glide- Dry
11	500121	<a href="#">510189</a>		Pad Felt
12	501668	<a href="#">503688</a>		Screw, 10B-16 X .34 I
13	501554	<a href="#">12002090</a>		Bracket
14	Y00000000		Not Available	SEE NOTE CABINET -- (SEE CABINET PAGE)

15	Y31645	<a href="#">27001200</a>	Screw
16	56259	Not Available	STICKER
17	500049	Not Available	STICKER
18	502231	Not Available	DUCT, HEAT

