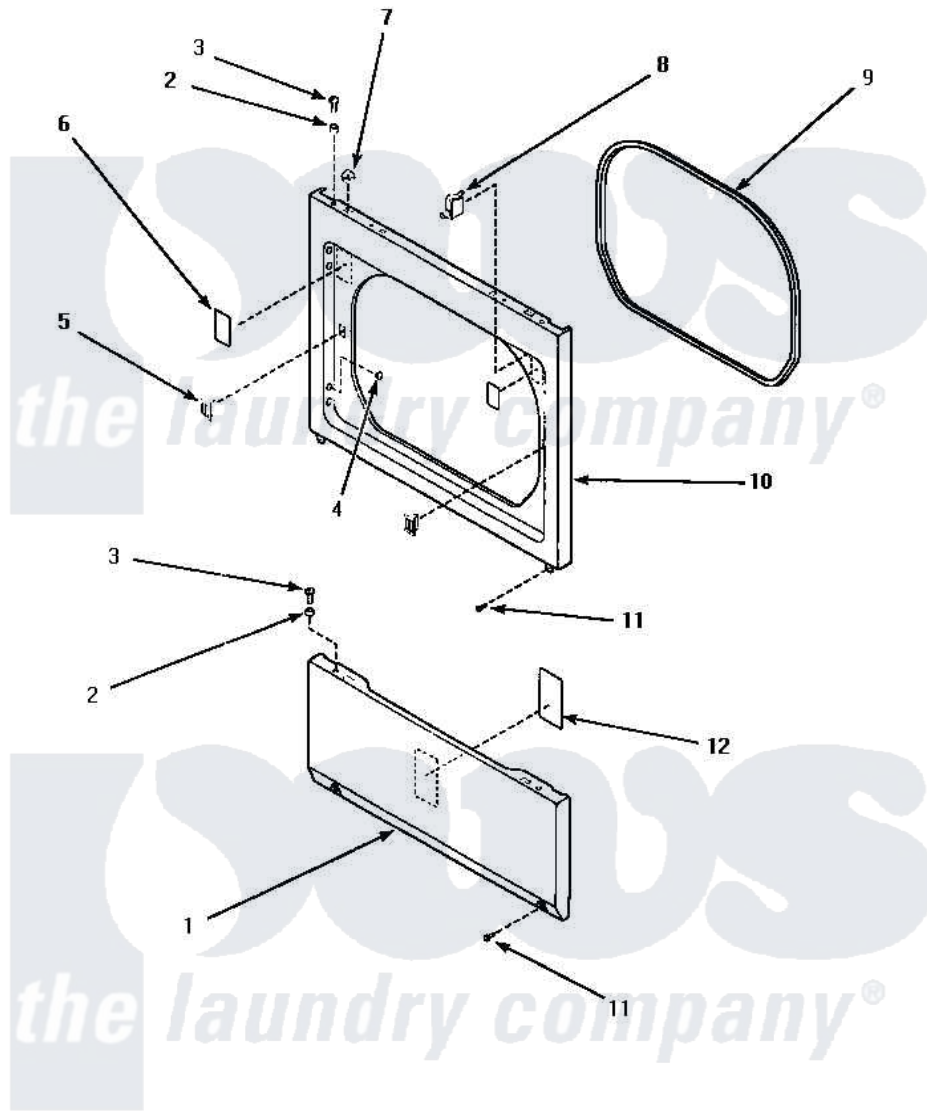


# Amana AGM479W2 10 - LOWER ACCESS PANEL, FRONT PANEL & SEAL



## LOWER ACCESS PANEL, FRONT PANEL AND SEAL

Amana [Residential Amana AGM479W2 Dryer Parts](#) Parts Diagram 10 - LOWER ACCESS PANEL, FRONT PANEL & SEAL

[Click on the part number to view part](#)

Item	Original Part Number	Replaced By	Status	Part Description
1	500044W	<a href="#">40045301WP</a>		Panel, Access
"	500044L		Not Available	PANEL, ACCESS (ALMOND)
2	56079	<a href="#">505187</a>		Locator, Panel
3	32671	<a href="#">Y014874</a>		Screw, Idler Arm And Sleeve
4	500227	<a href="#">505295</a>		Screw, No.8ab-16 x 3/4 PH
5	54660	<a href="#">LA-1003</a>		Door Catch Kit
6	500281		Not Available	STICKER
7	28835	<a href="#">22001650</a>		Fastener, Spring
8	Y62872	<a href="#">W10169313</a>		Switch-Dor
9	<a href="#">500034</a>			Seal, Front Panel
10	500033W		Not Available	PANEL, FRONT
"	<a href="#">500033L</a>			Panel, Front
11	33562	<a href="#">27001200</a>		Screw
12	500670		Not Available	STICKER NG OR MIXED GA