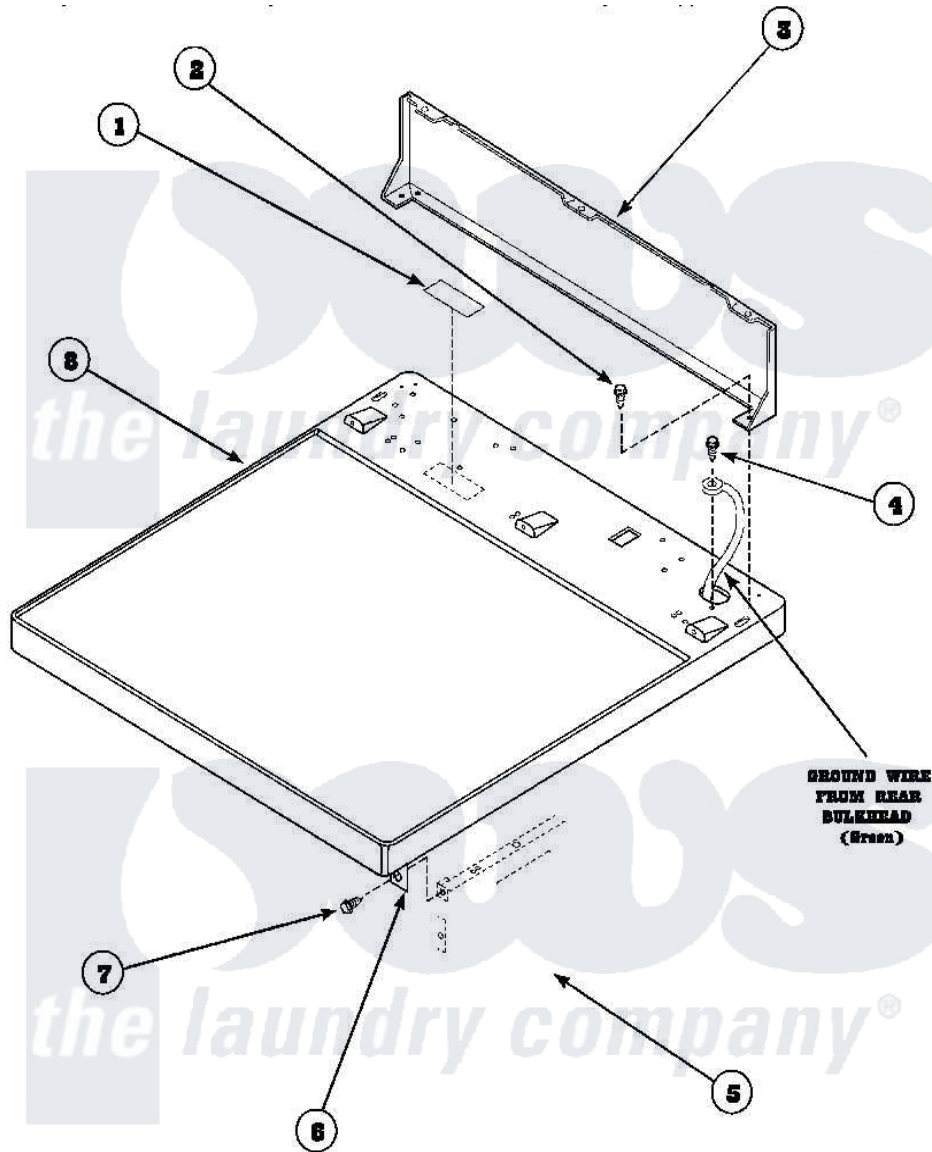


Amana AGM499L2 (BOM: PAGM499L2) 01 - CABINET TOP AND CONTROL HOOD REAR PANEL



Amana Residential Amana AGM499L2 (BOM: PAGM499L2) [Dryer Parts](#) Parts Diagram 01 - CABINET TOP AND CONTROL HOOD REAR PANEL
 Click on the part number to view part

| Item | Original Part Number | Replaced By | Status | Part Description |
|------|-----------------------|--------------------------|---------------|---|
| 1 | 24903 | | Not Available | STICKER,DISCONNECT POW |
| 2 | 501086 | 90767 | | Screw, 8A X 3/8 HeX Washer Head Tapping |
| 3 | 500343 | | Not Available | PANEL,BACK(HOME HOOD) |
| 4 | 20530 | | | Screw, 10-24 x 3/8 Hex |
| 5 | 500001P | | Not Available | (ADD LETTER BEFORE "P" IN PART |
| 6 | 500084 | 40130801 | | Bracket, Top Mount |
| 7 | 33562 | 27001200 | | Screw |
| 8 | 500085P | | Not Available | (ADD LETTER L-L, W-W TO PART N |