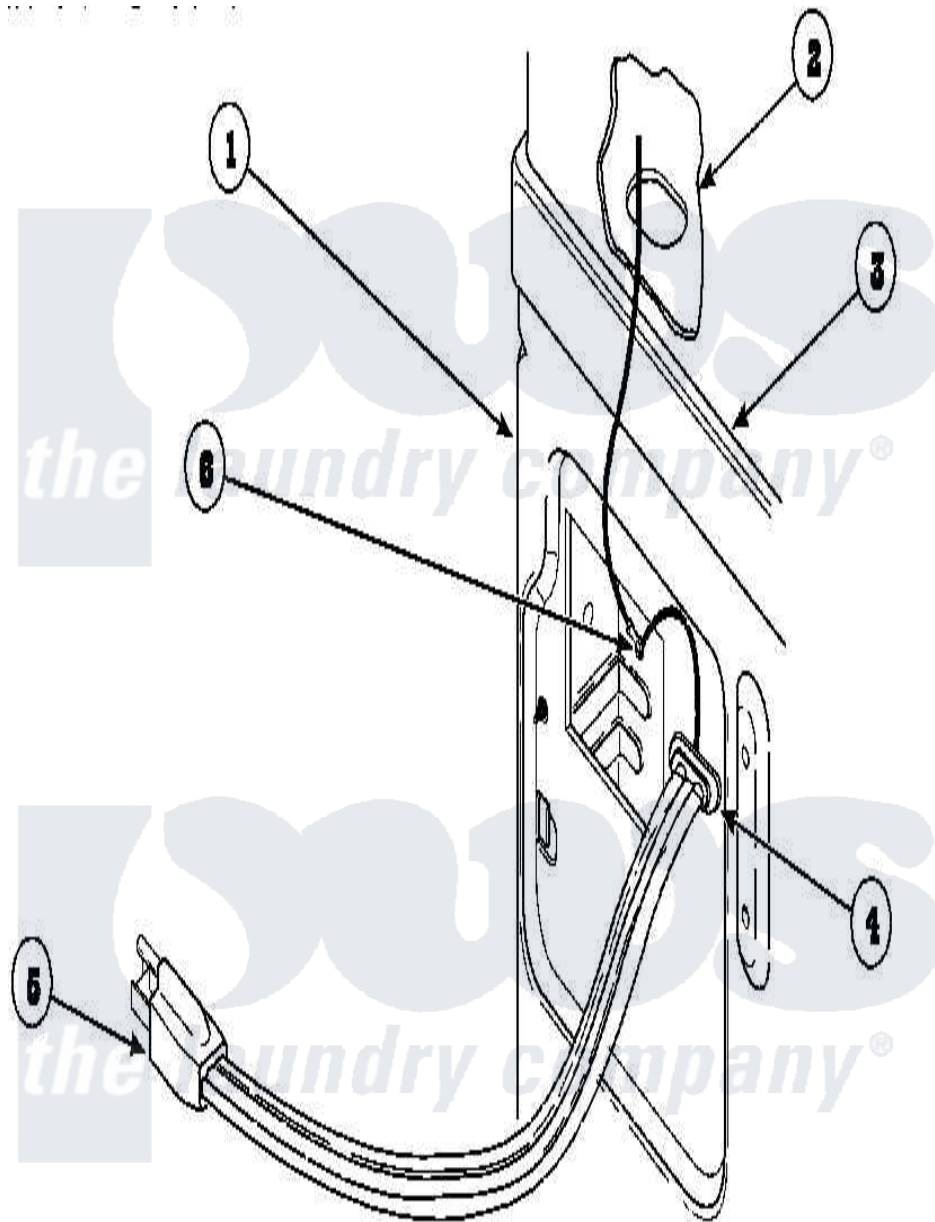


Amana AGM679L2 (BOM: PAGM679L2) 15 - POWER CORDS



Amana Residential Amana AGM679L2 (BOM: PAGM679L2) Washer Parts Parts Diagram 15 - POWER CORDS
 Click on the part number to view part

| Item | Original Part Number | Replaced By | Status | Part Description |
|------|-----------------------|--------------------------|---------------|----------------------------------------------|
| 1 | 500001P | | Not Available | (ADD LETTER BEFORE "P" IN PART |
| 2 | 500343 | | Not Available | PANEL, BACK(HOME HOOD) |
| 3 | 500085P | | Not Available | (ADD LETTER L-L, W-W TO PART N |
| 4 | 21903 | 211881 | | Grommet, Cord Part Not Used- Gas Models Only |
| 5 | Y56222 | 27001142 | | Cord, Power |
| 6 | 501668 | 503688 | | Screw, 10B-16 X .34 I |
| " | 20530 | | | Screw, 10-24 x 3/8 Hex |