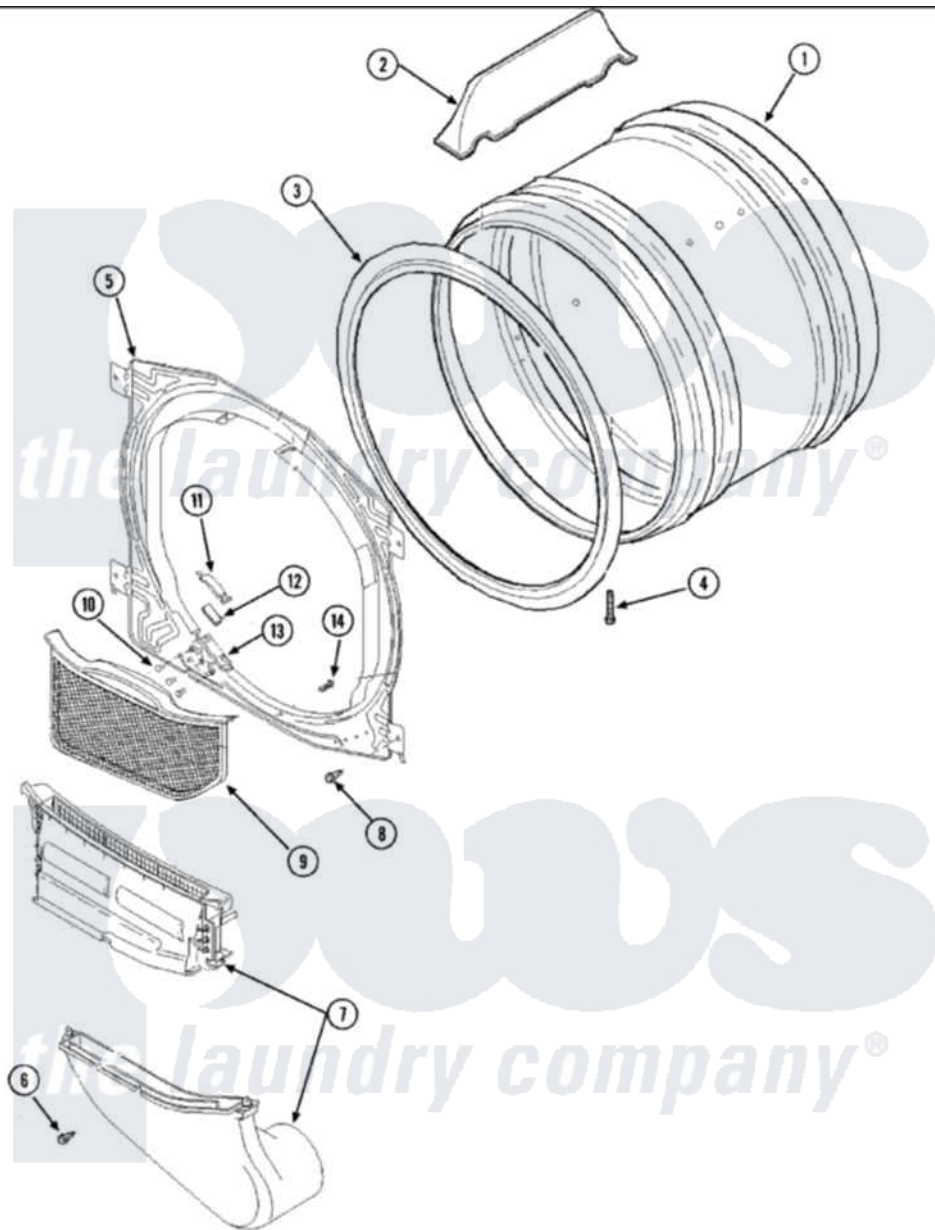


Amana ALE331RAW 04 - FRONT BULKHEAD, AIR DUCT & CYLINDER



Amana [Residential Amana ALE331RAW Dryer Parts](#) Parts Diagram 04 - FRONT BULKHEAD, AIR DUCT & CYLINDER

Click on the part number to view part

| Item | Original Part Number | Replaced By | Status | Part Description |
|------|--------------------------|--------------------------|--------|---------------------------|
| 1 | 504467WP | | | Cylinder Assembly |
| 2 | 503703 | 12002559 | | Baffle Kit |
| 3 | 501801 | 37001132 | | Seal, Cylinder |
| 4 | Y62588 | | | Screw, 10BT-12 X 1 Tap |
| 5 | 503756W | | | Assembly, Blkhhd Front CO |
| 6 | 501285 | | | Screw, No.12 X 9/16-Pla |
| 7 | Y504806 | 37001141 | | Air Duct Assembly |
| 8 | 503688 | | | Screw, 10B-16 X .34 I |
| 9 | 40124401 | 37001142 | | Filter, Lint |
| 10 | 37001031 | 3370225 | | Screw |
| 11 | 40116501 | 37001298 | | Glide- Dry |
| 12 | 500092 | 510189 | | Pad Felt |
| 13 | 37001036 | | | Bracket, Cylinder Glide |
| 14 | 500226 | | | Screw, 8b-16 x 5/8 Tap |