

# Amana ALE665SAC (BOM: PALE665SAC) 02 - CONTROL PANEL

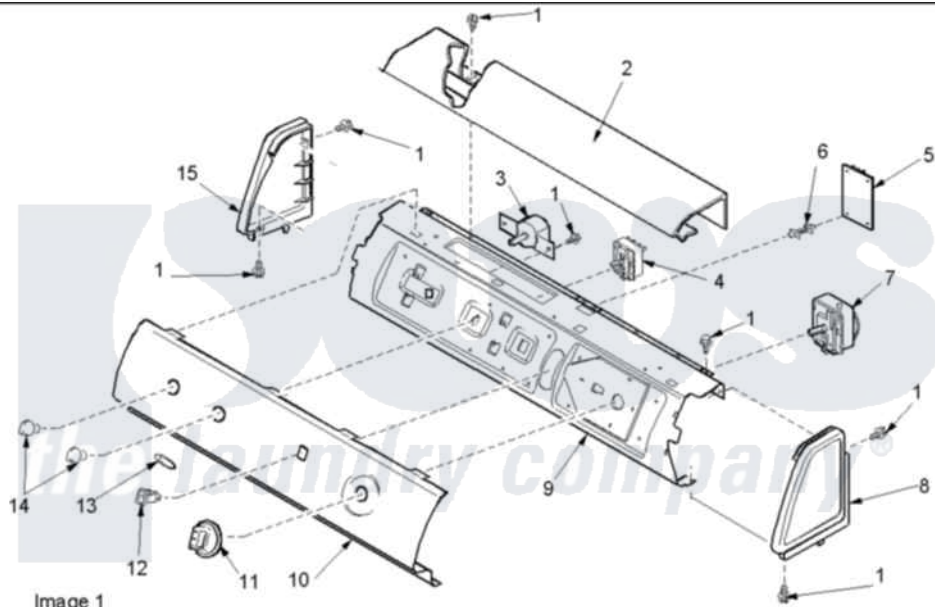


Image 1

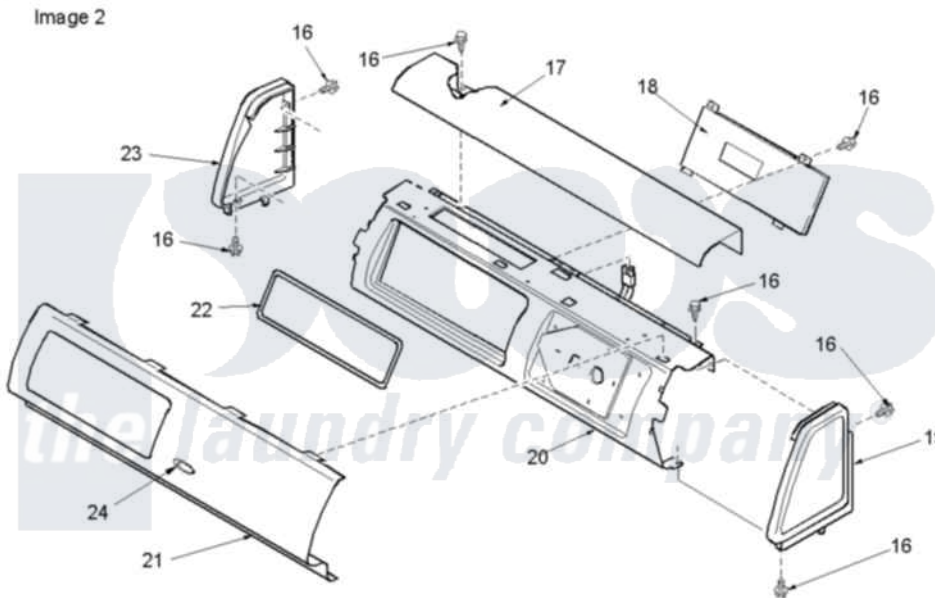


Image 2

Amana [Residential Amana ALE665SAC \(BOM: PALE665SAC\) Dryer Parts](#) Parts Diagram 02 - CONTROL PANEL  
 Click on the part number to view part

Item	Original Part Number	Replaced By	Status	Part Description
2	<a href="#">503674C</a>			Cover, Top
3	<a href="#">62173</a>			Switch, Temperature Select
4	<a href="#">504166</a>			Switch, Signal
5	<a href="#">40084301</a>			Assembly, Moist Sensor Board
6	<a href="#">501523</a>			Support, Circuit Board
7	40112801	<a href="#">R0000411</a>		Timer
8	40012701C		Not Available	ENDCAP (RT-BSQ)
9	<a href="#">40039611</a>			Panel, Support
10	<a href="#">40092501C</a>			Panel, Graphic
11	<a href="#">40013601C</a>			Assembly, Timer Knob
12	38424L	<a href="#">38424W</a>		Switch, Rocker
13	<a href="#">40083301</a>			Medallion
14	<a href="#">40013401C</a>			Assembly, Selector Knob
15	40012702C		Not Available	ENDCAP (LT-BSQ)
NI	40092601	<a href="#">37001006</a>		Harness, Wire Moisture Sensor