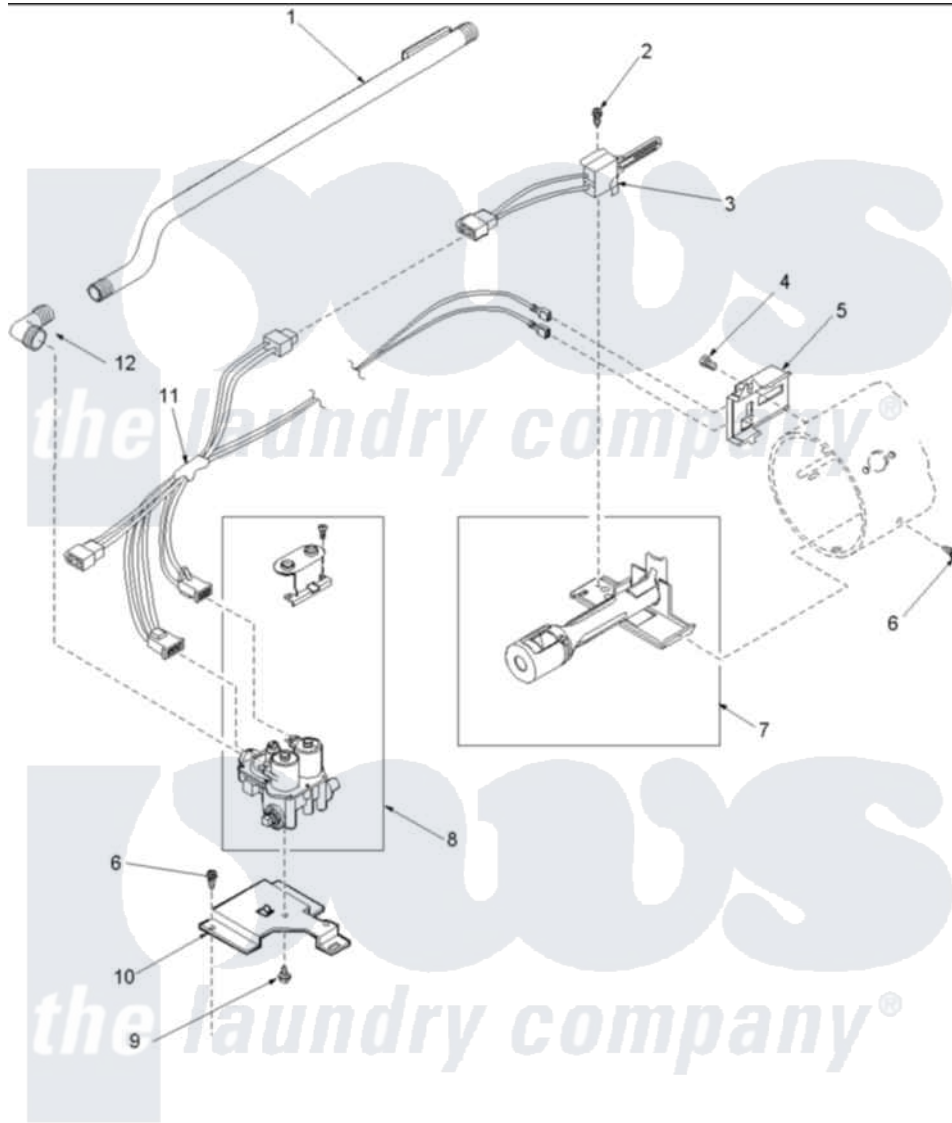


**Amana ALG866SAC (BOM: PALG866SAC1) 05 - GAS VALVE, IGNITER & GAS CONVERSION KIT**



Amana Residential Amana ALG866SAC (BOM: PALG866SAC1) Dryer Parts Parts Diagram 05 - GAS VALVE, IGNITER & GAS CONVERSION KIT  
 Click on the part number to view part

Item	Original Part Number	Replaced By	Status	Part Description
1	37001001	<a href="#">37001127</a>		Valve And Pipe Assembly
2	51782		Not Available	SCREW, 6B-20X5/16
3	40069801	<a href="#">37001308</a>		Ignitor
4	23222	<a href="#">3177991</a>		Screw
5	Y56231	<a href="#">338906</a>		Radiant, Sensor
6	<a href="#">503688</a>			Screw, 10B-16 X .34 I
7	Y56234	<a href="#">37001304</a>		Burner Ign
8	<a href="#">37001002</a>			Assembly, Gas Valve
9	56124	<a href="#">3370225</a>		Screw
10	<a href="#">500821</a>			Bracket, Mounting-Gas
11	<a href="#">37001007</a>			Harness, Wire