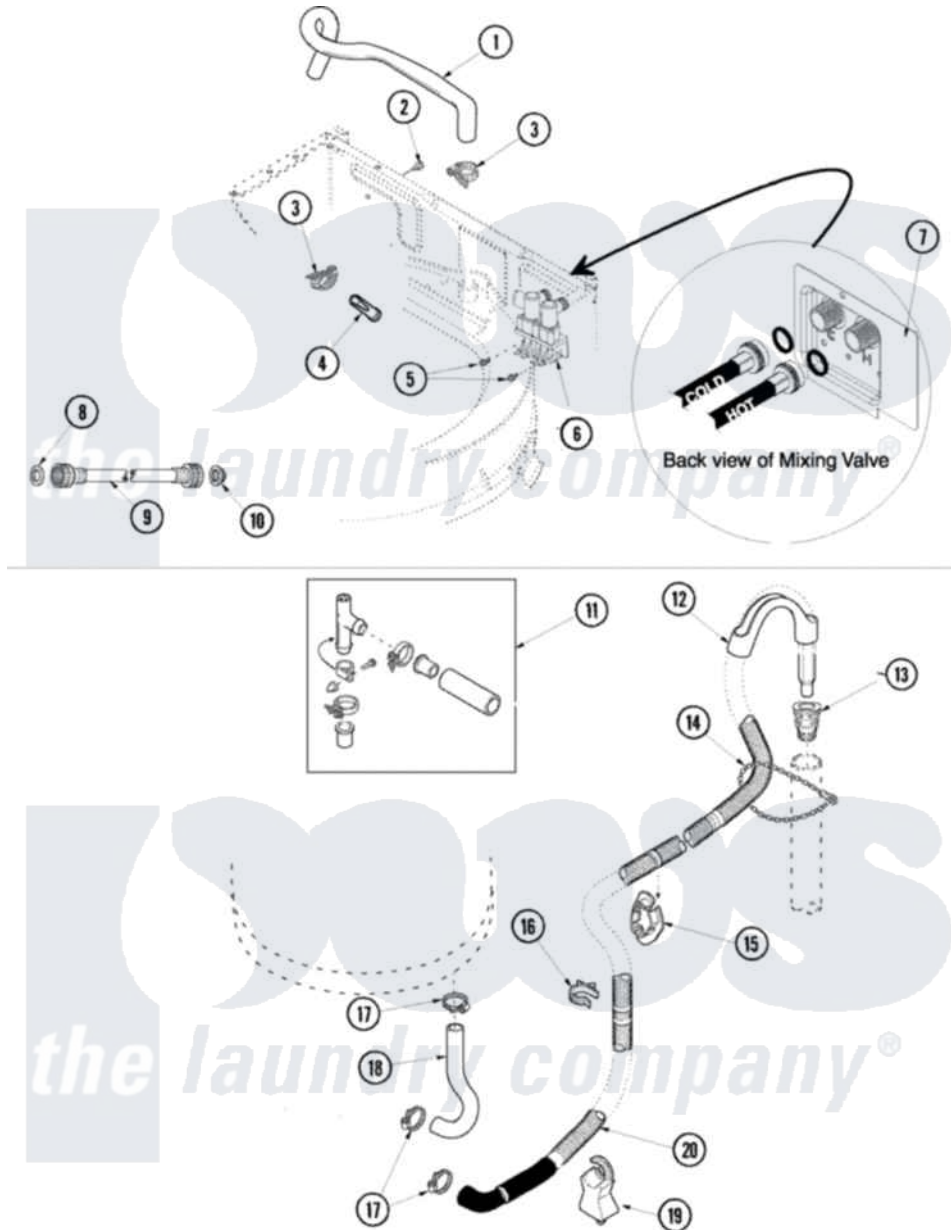


Amana ALW210RMC 05 - MIXING VALUE & HOSES



Amana Residential Amana ALW210RMC Washer Parts Parts Diagram 05 - MIXING VALUE & HOSES
 Click on the part number to view part

Item	Original Part Number	Replaced By	Status	Part Description
1	40098901	27001184		Hose, Mixing Valve To Tub
2	503661	27001200		Screw
3	36801	596669		Clamp, Manifold
4	34500	22001900		Preventer, Back Flow
5	501086	90767		Screw, 8A X 3/8 HeX Washer Head Tapping
6	40097701	R0131578		Valve-Inlet
7	40098801			Plate, Mixing Value
8	20290	Y013783		Washer, Inlet Hose
9	40058001	76313		Hosefill
"	40058002	76313		Hosefill
10	28605	22002960		Strainer, Washer Inlet
11	562P3	76660		Break-Sphn
12	33615	22003814		Retainer, Drain Hose
13	40008101			Adapter, Standpipe
14	M0321208	8539404		Tie-Wire
15	40058501			Relief, Strain Drain

16	36014		Clip, Retainer-Hose
17	36802	285655	Clamp, Hose
18	40094201		Hose, Tub To Pump
19	40044901		Stand, Hose
20	40053901		Hose, Drain

