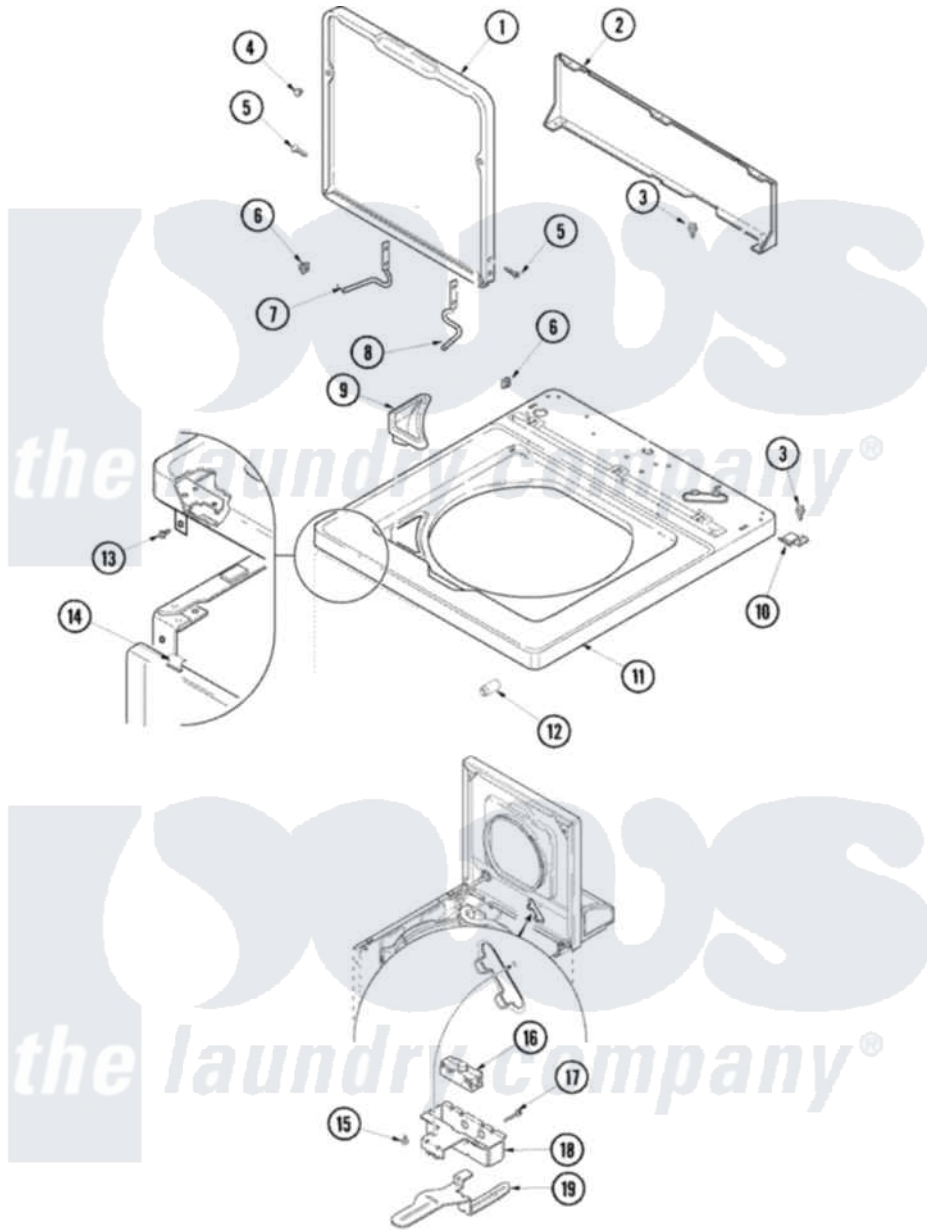


Amana ALW210RMC 11 - TOP, LID AND LID SWITCH



Amana [Residential Amana ALW210RMC Washer Parts](#) Parts Diagram 11 - TOP, LID AND LID SWITCH
 Click on the part number to view part

| Item | Original Part Number | Replaced By | Status | Part Description |
|------|--------------------------|---------------------------|---------------|---|
| 1 | 27001015 | | Not Available | LID (BSQ) |
| 2 | 40121402 | | | Panel, Back |
| 3 | 501086 | 90767 | | Screw, 8A X 3/8 HeX Washer Head Tapping |
| 4 | 40038001 | | | Bumper |
| 5 | 40039201 | W10119828 | | Screw, Lid Hinge Mounting |
| 6 | 40008201 | | | Bushing, Hinge |
| 7 | 40094002 | | | Hinge, Lid Left Stop |
| 8 | 40094101 | | | Hinge, Lid Right Pass |
| 9 | 40093901 | | | Dispenser, Bleach |
| 10 | 40063901 | | | Clip, Hold Down |
| 11 | 40130801 | | | Bracket, Top Mount |
| " | 40000202CP | 27001183 | | Top |
| 12 | 40102101 | | | Cap, Hinge |
| 13 | 503661 | 27001200 | | Screw |
| 14 | 56080 | 22001650 | | Fastener, Spring |
| | | | | Screw, 8A X 3/8 HeX Washer |

| | | | |
|----|--------------------------|--------------------------|---|
| 15 | 501086 | 90767 | Screw, on a 3/8 inch washer Head Tapping |
| 16 | 40035001 | 27001095 | Switch, Lid |
| 17 | 40040701 | | Screw, Tapping No.6b-20 |
| 18 | 40009801 | | Holder, Lid Switch |
| 19 | 40009701 | | Arm, Lid Switch |

