

**Amana ALW432RAW (BOM: PALW432RAW) 04 - CABINET TOP, DOOR & DOOR SWITCH**

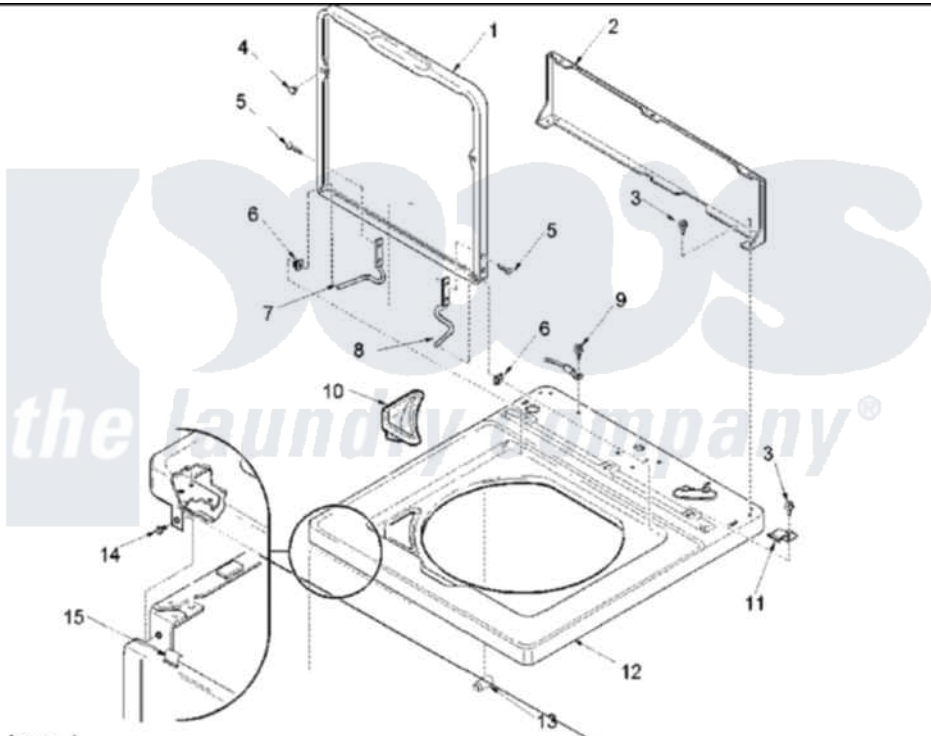
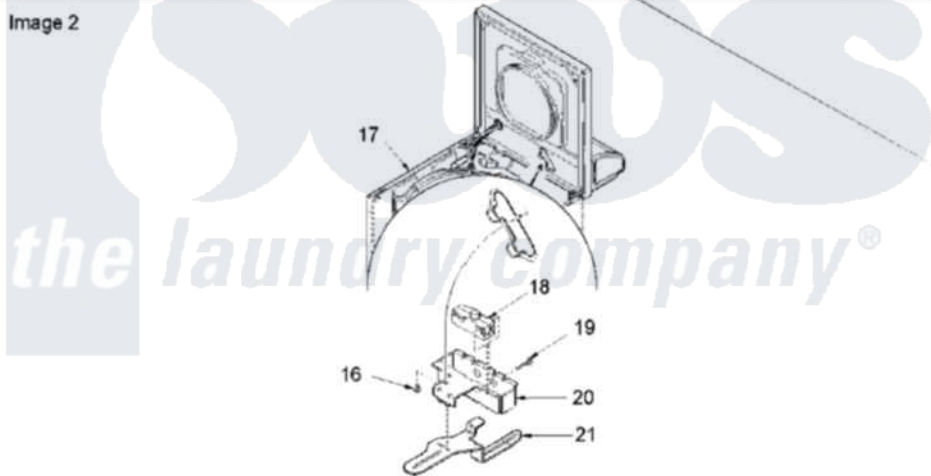


Image 1

Image 2



Amana Residential Amana ALW432RAW (BOM: PALW432RAW) Washer Parts Parts Diagram 04 - CABINET TOP, DOOR & DOOR SWITCH

[Click on the part number to view part](#)

Item	Original Part Number	Replaced By	Status	Part Description
1	27001016	<a href="#">27001093</a>		Lid
2	40051401P		Not Available	PANEL,BACK(HOME HOOD)
3	501086	<a href="#">90767</a>		Screw, 8A X 3/8 HeX Washer Head Tapping
4	<a href="#">40038001</a>			Bumper
5	40039201	<a href="#">W10119828</a>		Screw, Lid Hinge Mounting
6	<a href="#">40008201</a>			Bushing, Hinge
7	<a href="#">40094002</a>			Hinge, Lid Left Stop
8	<a href="#">40094101</a>			Hinge, Lid Right Pass
9	<a href="#">20530</a>			Screw, 10-24 x 3/8 Hex
10	<a href="#">40093901</a>			Dispenser, Bleach
11	<a href="#">40063901</a>			Clip, Hold Down
12	40000202W	<a href="#">27001182</a>		Top
"	<a href="#">40130801</a>			Bracket, Top Mount
13	<a href="#">40102101</a>			Cap, Hinge

14	503661	<a href="#">27001200</a>	Screw
15	56080	<a href="#">22001650</a>	Fastener, Spring
16	501086	<a href="#">90767</a>	Screw, 8A X 3/8 HeX Washer Head Tapping
17	40076402W	<a href="#">37001284</a>	Cabinet As Pack
18	40035001	<a href="#">27001095</a>	Switch, Lid
19	<a href="#">40040701</a>		Screw, Tapping No.6b-20
20	<a href="#">40009801</a>		Holder, Lid Switch
21	<a href="#">40009701</a>		Arm, Lid Switch

