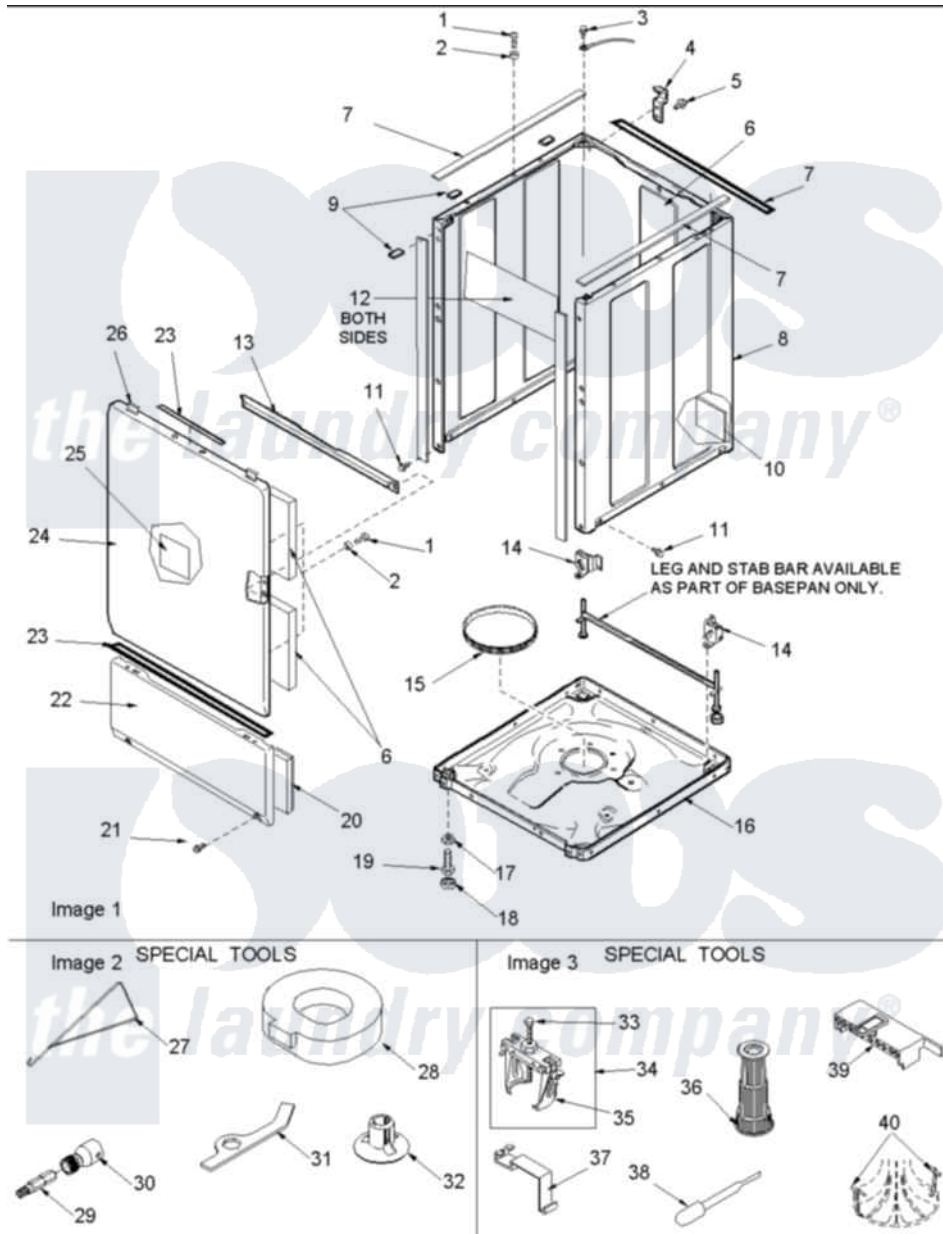


Amana ALW450QAC (BOM: PALW450QAC1) 02 - Base, Cabinet, Front and Special Tools



Amana Residential Amana ALW450QAC (BOM: PALW450QAC1) Washer Parts Parts Diagram 02 - Base, Cabinet, Front and Special Tools
 Click on the part number to view part

Item	Original Part Number	Replaced By	Status	Part Description
1	32671	Y014874		Screw, Idler Arm And Sleeve
2	505187			Locator, Panel
3	20530			Screw, 10-24 x 3/8 Hex
4	500003			Hinge, Top
5	40064801	3390631		Screw, 10-16 X 3/8
6	40106201			Foam, 8" X 23" X 1/2"
7	685366		Not Available	TAPE,FOAM
8	40076402C	40076402CP		Cabinet, Dryer And Washer
9	Y56128			Pad, Bumper
10	40106301			Foam, 5" X 5" X 1/2"
11	40038201	27001200		Screw
12	685368	22001817		Sheet, Sound Damper
13	56486		Not Available	BRACE, TOP
14	40031501			Bracket, Self Leveling
15	40037401			Ring, Friction

16	40031201P	27001226	Base Lev
17	40038101		Nut, Leg
18	40016001		Foot, Rubber
19	40039001	22003428	Leg, Adjustable
20	40106101		Foam, 6" X 13" X 1"
21	40034101		Screw, No.12bx1/2
22	40045301CP		Panel, Access
23	40083101		Tape, Foam
24	40035401CP		Panel, Front
26	56080	22001650	Fastener, Spring
27	289P4	321P4	Hook, Spring
28	40068201	27001185	Brace- Shp
29	282P4		T25 Tamper Resistant Bit
30	24161		Torx Bit Holder
31	306P4		Hex Wrench
32	40047301	27001185	Brace- Shp
33	294P4B		Drive Bell Bolt
34	294P4		Bell Tool
35	294P5A	Not Available	DRIVE BELL ARMS
36	293P4		Seal Tool
37	273P4		Tub Cover Gasket Tool
38	283P4		Terminal Extractor Tool
39	34677		10 Circuit Plug
40	254P4P		Agitator Hooks
NI	40106001		Foam, 4" X 22" X 1/2"

the laundry company®

the laundry company®