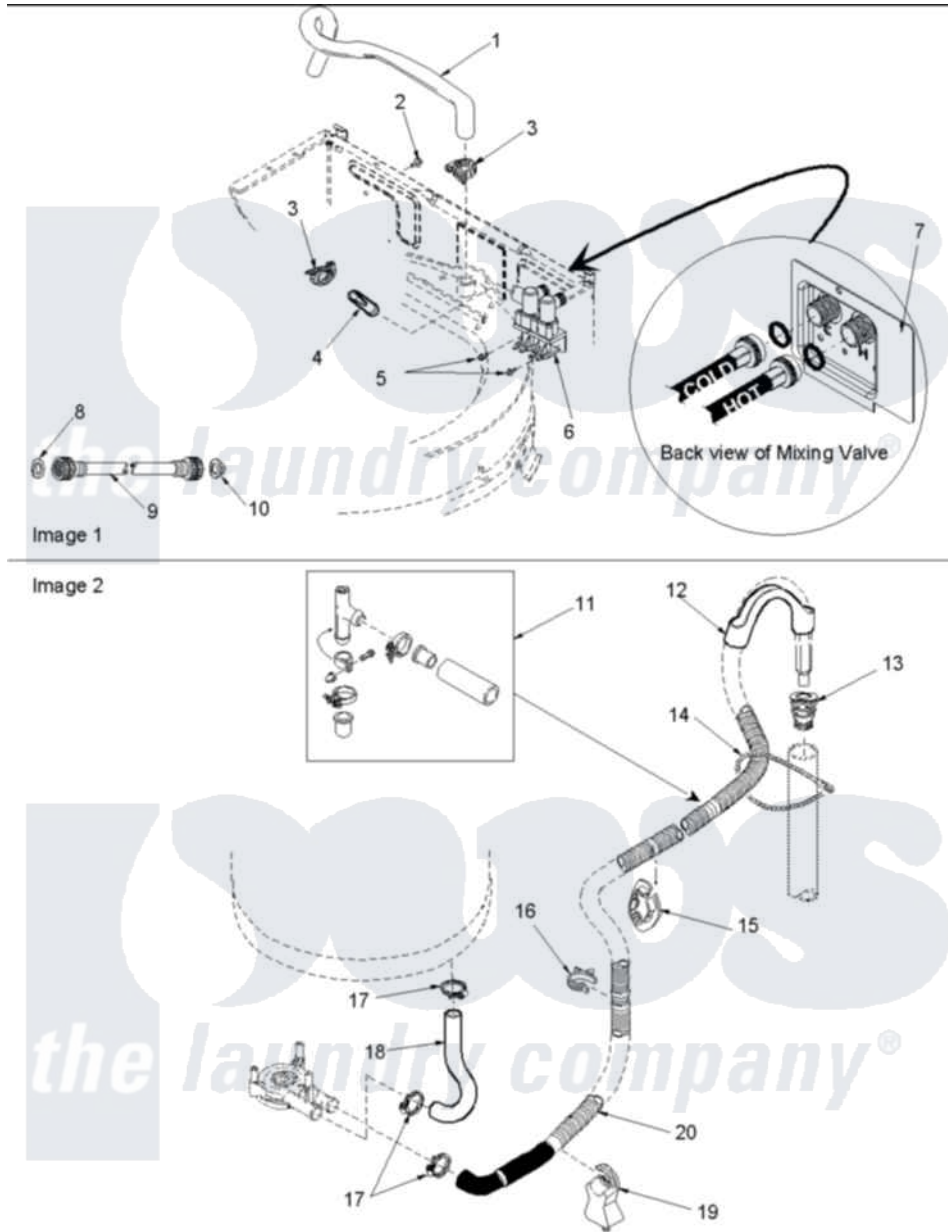


# Amana ALW450QAC (BOM: PALW450QAC1) 06 - Mixing Valve and Hoses



Amana Residential Amana ALW450QAC (BOM: PALW450QAC1) Washer Parts Parts Diagram 06 - Mixing Valve and Hoses

[Click on the part number to view part](#)

Item	Original Part Number	Replaced By	Status	Part Description
1	40098901	<a href="#">27001184</a>		Hose, Mixing Valve To Tub
2	503661	<a href="#">27001200</a>		Screw
3	36801	<a href="#">596669</a>		Clamp, Manifold
4	34500	<a href="#">22001900</a>		Preventer, Back Flow
5	501086	<a href="#">90767</a>		Screw, 8A X 3/8 HeX Washer Head Tapping
6	40097701	<a href="#">R0131578</a>		Valve-Inlet
7	<a href="#">40098801</a>			Plate, Mixing Value
8	20290	<a href="#">Y013783</a>		Washer, Inlet Hose
9	40058001	<a href="#">76313</a>		Hosefill
"	40058002	<a href="#">76313</a>		Hosefill
10	28605	<a href="#">22002960</a>		Strainer, Washer Inlet
11	562P3	<a href="#">76660</a>		Break-Sphn
12	33615	<a href="#">22003814</a>		Retainer, Drain Hose
13	<a href="#">40008101</a>			Adapter, Standpipe
14	33489	<a href="#">8539404</a>		Tie-Wire

15	<a href="#">40058501</a>	Relief, Strain Drain
16	<a href="#">36014</a>	Clip, Retainer-Hose
17	36802	<a href="#">285655</a> Clamp, Hose
18	<a href="#">40094201</a>	Hose, Tub To Pump
19	<a href="#">40044901</a>	Stand, Hose
20	<a href="#">40053901</a>	Hose, Drain

