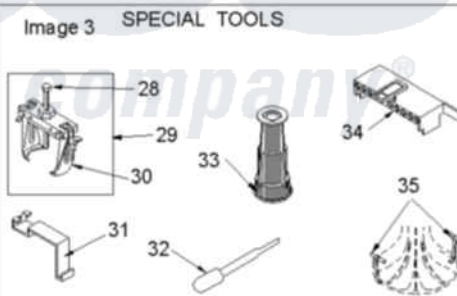
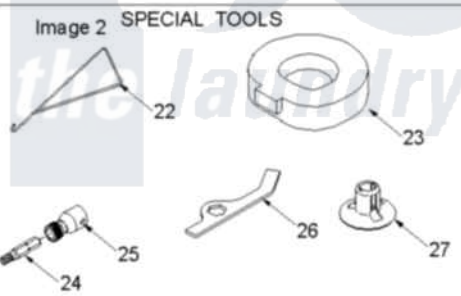
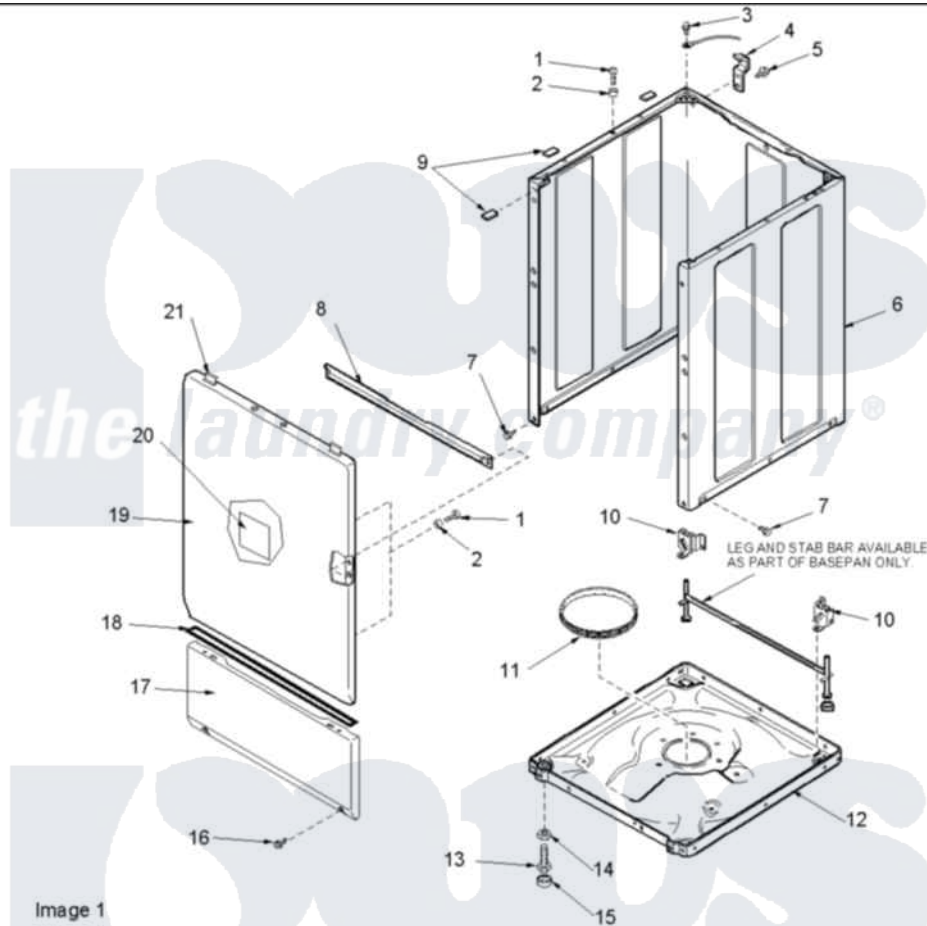


Amana ALW480DAW (BOM: PALW480DAW) 02 - BASE, CABINET, FRONT AND SPECIAL TOOLS



Amana Residential Amana ALW480DAW (BOM: PALW480DAW) Washer Parts Parts Diagram 02 - BASE, CABINET, FRONT AND SPECIAL TOOLS
 Click on the part number to view part

Item	Original Part Number	Replaced By	Status	Part Description
1	32671	Y014874		Screw, Idler Arm And Sleeve
2	505187			Locator, Panel
4	500003			Hinge, Top
5	40064801	3390631		Screw, 10-16 X 3/8
6	40076401WP	37001284		Cabinet As Pack
8	56486		Not Available	BRACE, TOP
10	40031501			Bracket, Self Leveling
11	40037401			Ring, Friction
12	40031201P	27001226		Base Lev
13	40039001	22003428		Leg, Adjustable
14	40038101			Nut, Leg
15	40016001			Foot, Rubber
16	40034101			Screw, No.12bx1/2
17	40045301WP			Panel, Access
19	40035401WP			Panel, Front

20	40068901	22001817	Sheet, Sound Damper
21	56080	22001650	Fastener, Spring
22	289P4	321P4	Hook, Spring
23	40068201	27001185	Brace- Shp
24	282P4		T25 Tamper Resistant Bit
25	24161		Torx Bit Holder
26	306P4		Hex Wrench
27	40047301	27001185	Brace- Shp
28	294P4B		Drive Bell Bolt
29	294P4		Bell Tool
30	294P5A	Not Available	DRIVE BELL ARMS
31	273P4		Tub Cover Gasket Tool
32	283P4		Terminal Extractor Tool
33	293P4		Seal Tool
34	34677		10 Circuit Plug
35	254P4P		Agitator Hooks

