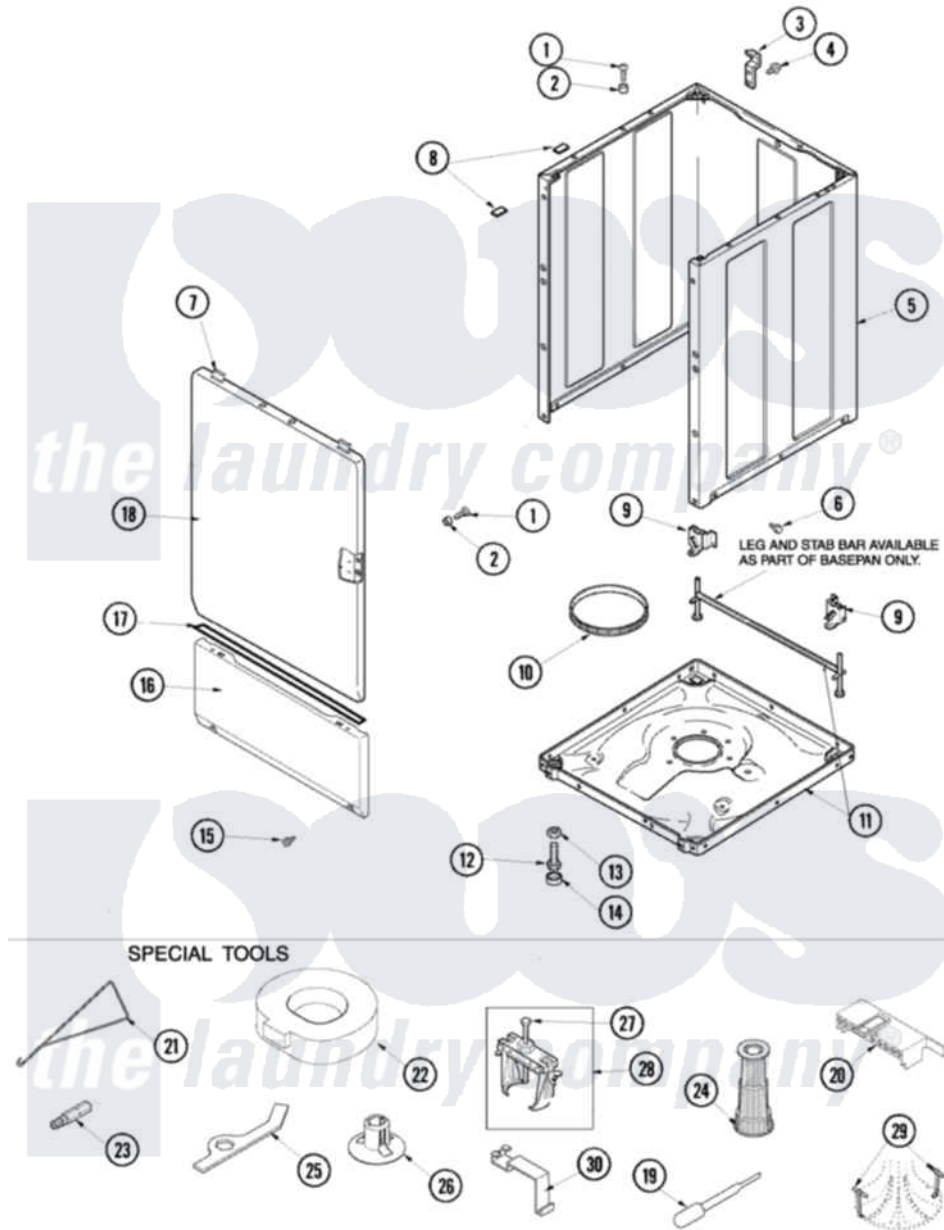


Amana ALW540RAW 01 - CABINET, BASE & SPECIAL TOOLS



Amana [Residential Amana ALW540RAW Washer Parts](#) Parts Diagram 01 - CABINET, BASE & SPECIAL TOOLS
 Click on the part number to view part

| Item | Original Part Number | Replaced By | Status | Part Description |
|------|--------------------------|--------------------------|--------|---|
| 1 | 32671 | Y014874 | | Screw, Idler Arm And Sleeve |
| 2 | 505187 | | | Locator, Panel |
| 3 | 500003 | | | Hinge, Top |
| 4 | 40064801 | 3390631 | | Screw, 10-16 X 3/8 |
| 5 | 40076402WP | 37001284 | | Cabinet As Pack |
| 6 | 40038201 | 27001200 | | Screw |
| 7 | 56080 | 22001650 | | Fastener, Spring |
| " | 501086 | 90767 | | Screw, 8A X 3/8 HeX Washer Head Tapping |
| " | 40034202 | | | Clip, Spring |
| 8 | Y56128 | | | Pad, Bumper |
| 9 | 40031501 | | | Bracket, Self Leveling |
| 10 | 40037401 | | | Ring, Friction |
| 11 | 40031201P | 27001226 | | Base Lev |
| 12 | 40039001 | 22003428 | | Leg, Adjustable |
| 13 | 40038101 | | | Nut, Leg |
| 14 | 40016001 | | | Foot, Rubber |

| | | | |
|----|----------------------------|--------------------------|--------------------------|
| 15 | 40034101 | | Screw, No.12bx1/2 |
| 16 | 40045301WP | | Panel, Access |
| 17 | 40083101 | | Tape, Foam |
| 18 | 40035401WP | | Panel, Front |
| 20 | 34677 | | 10 Circuit Plug |
| 21 | 321P4 | | Hook, Spring |
| 22 | 40068201 | 27001185 | Brace- Shp |
| 23 | 282P4 | | T25 Tamper Resistant Bit |
| 24 | 293P4 | | Seal Tool |
| " | 283P4 | | Terminal Extractor Tool |
| 25 | 306P4 | | Hex Wrench |
| 26 | 40047301 | 27001185 | Brace- Shp |
| 27 | 294P4B | | Drive Bell Bolt |
| 28 | 294P4 | | Bell Tool |
| 29 | 254P4P | | Agitator Hooks |
| 30 | 273P4 | | Tub Cover Gasket Tool |

