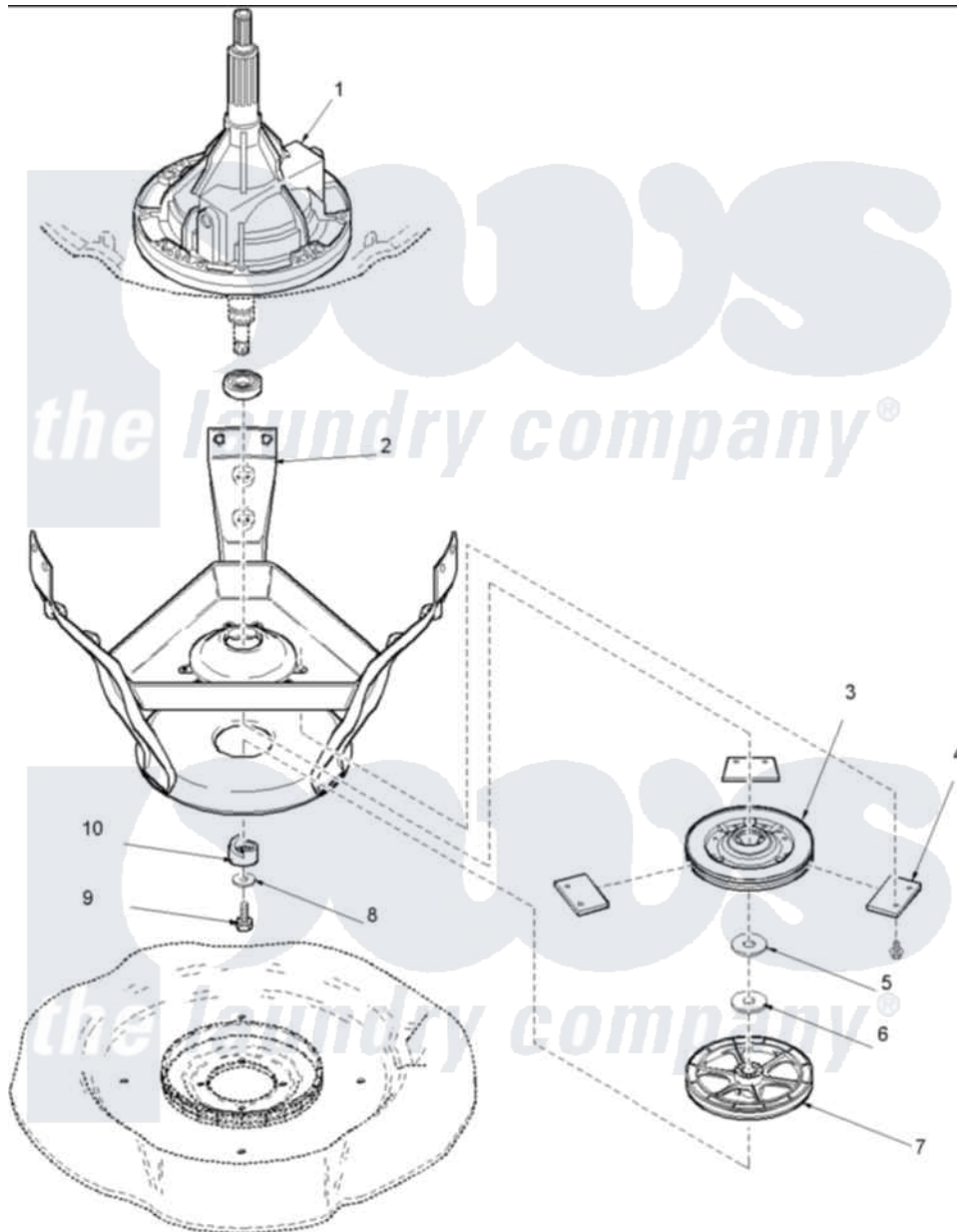


**Amana ALW540RAW (BOM: PALW540RAW) 03 - BEARINGS, BRAKE, AND TRANSMISSION**



Amana Residential Amana ALW540RAW (BOM: PALW540RAW) Washer Parts Parts Diagram 03 - BEARINGS, BRAKE, AND TRANSMISSION  
 Click on the part number to view part

Item	Original Part Number	Replaced By	Status	Part Description
1	40065301	<a href="#">12002178</a>		Transmison
2	40070002	<a href="#">12002013</a>		Base
3	40003103	<a href="#">R9900474</a>		Brake Assembly
4	<a href="#">R0000014</a>			Kit, Brake Pad
5	<a href="#">40065701</a>			Washer, 2 Odx.63 ID
6	<a href="#">40063201</a>			Washer, Flat
7	40047201	<a href="#">40047202</a>		Pulley, Spin
8	<a href="#">40041501</a>			Washer
9	<a href="#">40063401</a>			Screw, 1/4-20 x 5/8 Hex
10	40047401	<a href="#">40047402</a>		Helix, Plastic
NI	<a href="#">26594P</a>			Grease, Silicone - 2 Oz Tube