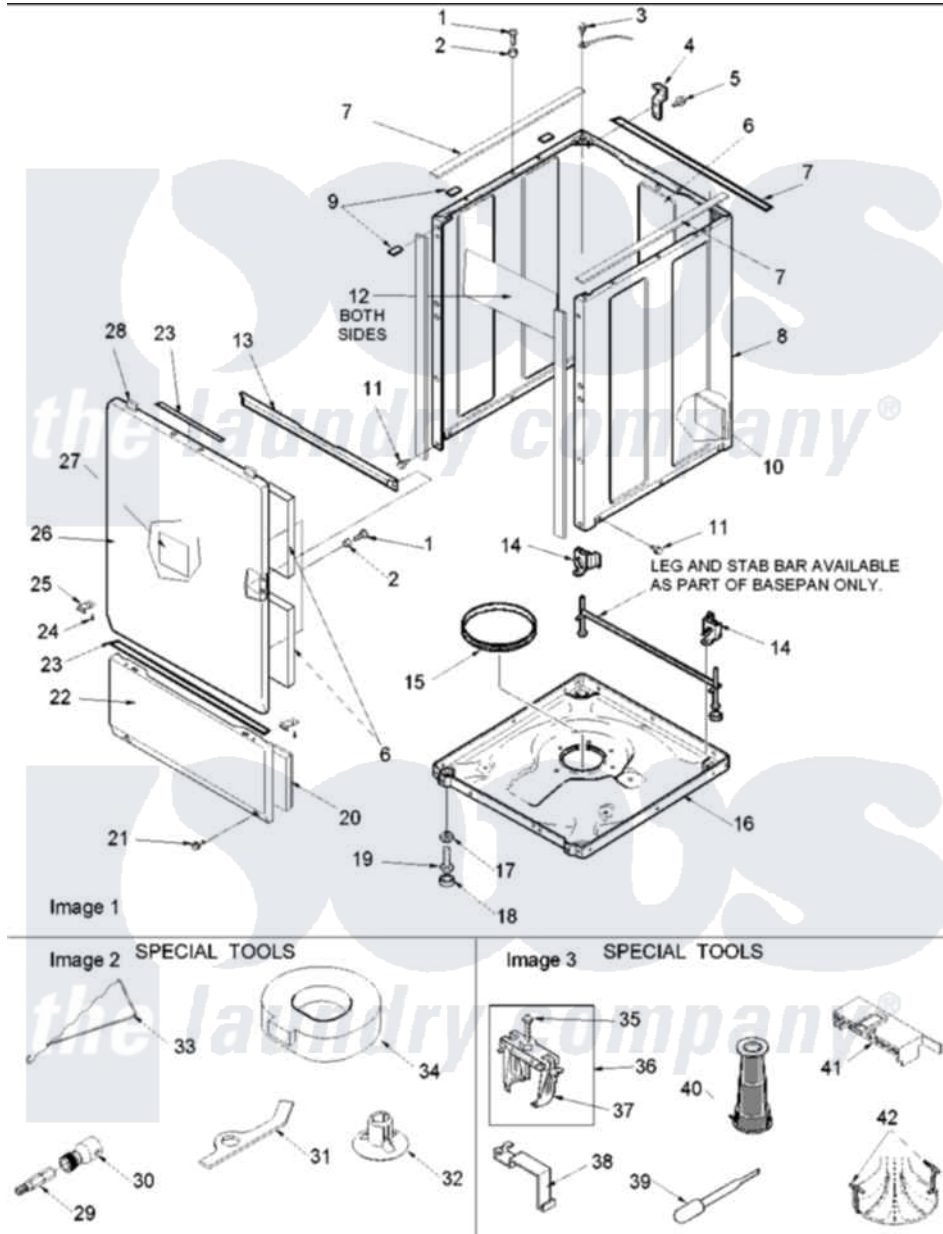


# Amana ALW540RMC (BOM: PALW540RMC0) 02 - BASE, CABINET, FRONT AND SPECIAL TOOLS



Amana Residential Amana ALW540RMC (BOM: PALW540RMC0) Washer Parts Parts Diagram 02 - BASE, CABINET, FRONT AND SPECIAL TOOLS  
 Click on the part number to view part

| Item | Original Part Number     | Replaced By                | Status        | Part Description            |
|------|--------------------------|----------------------------|---------------|-----------------------------|
| 1    | 32671                    | <a href="#">Y014874</a>    |               | Screw, Idler Arm And Sleeve |
| 2    | <a href="#">505187</a>   |                            |               | Locator, Panel              |
| 4    | <a href="#">500003</a>   |                            |               | Hinge, Top                  |
| 5    | 40064801                 | <a href="#">3390631</a>    |               | Screw, 10-16 X 3/8          |
| 8    | 40076401C                | <a href="#">40076402CP</a> |               | Cabinet, Dryer And Washer   |
| 9    | <a href="#">Y56128</a>   |                            |               | Pad, Bumper                 |
| 13   | 56486                    |                            | Not Available | BRACE, TOP                  |
| 14   | <a href="#">40031501</a> |                            |               | Bracket, Self Leveling      |
| 15   | <a href="#">40037401</a> |                            |               | Ring, Friction              |
| 16   | 40031201                 | <a href="#">27001226</a>   |               | Base Lev                    |
| 17   | <a href="#">40038101</a> |                            |               | Nut, Leg                    |
| 18   | <a href="#">40016001</a> |                            |               | Foot, Rubber                |
| 19   | 40039001                 | <a href="#">22003428</a>   |               | Leg, Adjustable             |
| 21   | <a href="#">40034101</a> |                            |               | Screw, No.12bx1/2           |
| 22   | 40045301C                | <a href="#">40045301CP</a> |               | Panel, Access               |

|    |                          |                            |                             |
|----|--------------------------|----------------------------|-----------------------------|
| 25 | <a href="#">40034202</a> |                            | Clip, Spring                |
| 26 | 40035401C                | <a href="#">40035401CP</a> | Panel, Front                |
| 27 | 40068901                 | <a href="#">22001817</a>   | Sheet, Sound Damper         |
| 28 | 56080                    | <a href="#">22001650</a>   | Fastener, Spring            |
| 29 | <a href="#">282P4</a>    |                            | T25 Tamper Resistant Bit    |
| 30 | <a href="#">24161</a>    |                            | Torx Bit Holder             |
| 31 | <a href="#">306P4</a>    |                            | Hex Wrench                  |
| 32 | 40047301                 | <a href="#">27001185</a>   | Brace- Shp                  |
| 33 | 289P4                    | <a href="#">321P4</a>      | Hook, Spring                |
| 34 | 40068201                 | <a href="#">27001185</a>   | Brace- Shp                  |
| 35 | <a href="#">294P4B</a>   |                            | Drive Bell Bolt             |
| 36 | <a href="#">294P4</a>    |                            | Bell Tool                   |
| 37 | 294P5A                   | Not Available              | DRIVE BELL ARMS             |
| 38 | <a href="#">273P4</a>    |                            | Tub Cover Gasket Tool       |
| 39 | <a href="#">283P4</a>    |                            | Terminal Extractor Tool     |
| 40 | <a href="#">293P4</a>    |                            | Seal Tool                   |
| 41 | <a href="#">34677</a>    |                            | 10 Circuit Plug             |
| 42 | <a href="#">254P4P</a>   |                            | Agitator Hooks              |
| NI | <a href="#">40117501</a> |                            | Assembly, Wire Harness Base |

