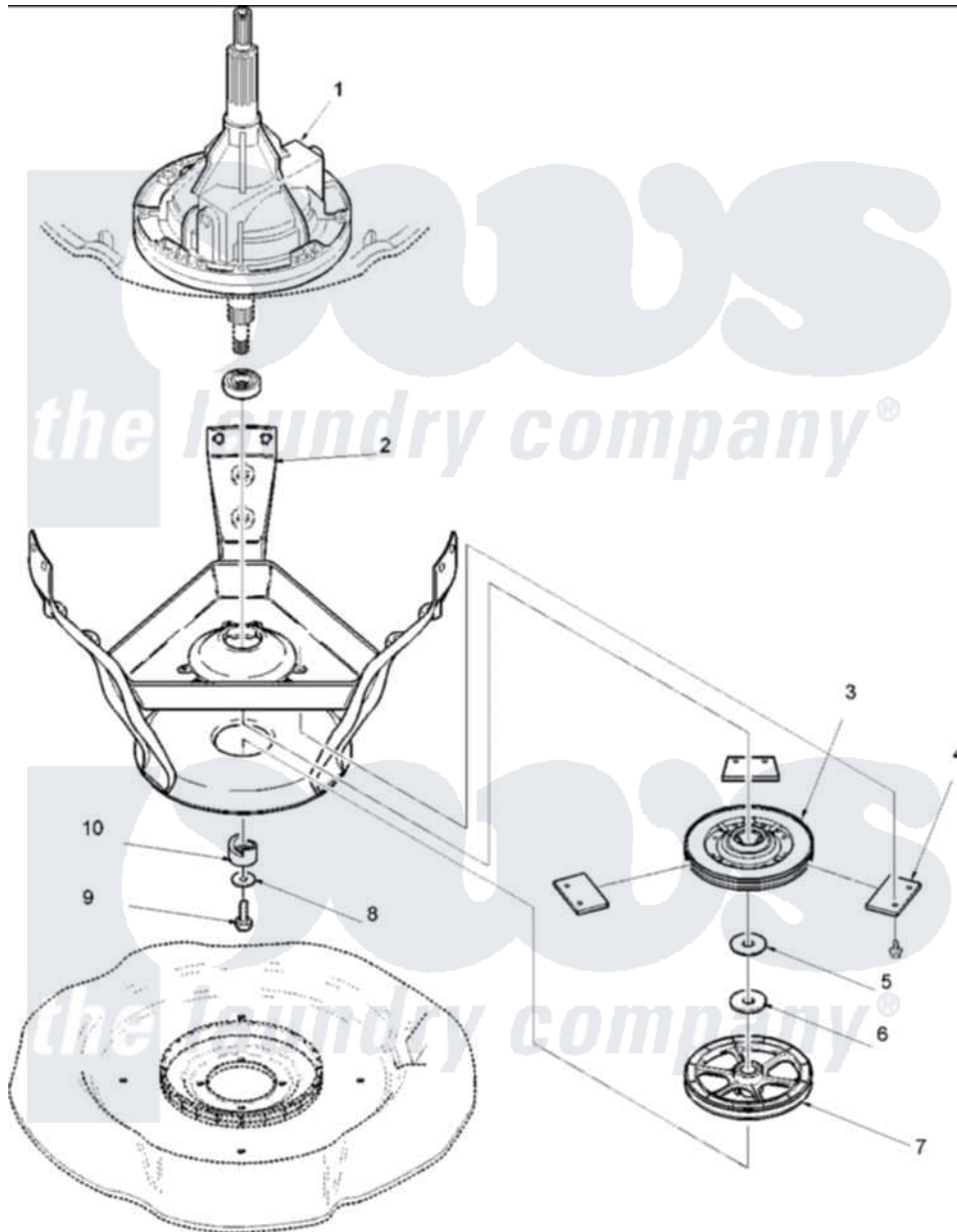


**Amana ALW540RMC (BOM: PALW540RMC0) 03 - BEARINGS, BRAKE, AND TRANSMISSION**



Amana Residential Amana ALW540RMC (BOM: PALW540RMC0) Washer Parts Parts Diagram 03 - BEARINGS, BRAKE, AND TRANSMISSION  
 Click on the part number to view part

| Item | Original Part Number     | Replaced By              | Status | Part Description             |
|------|--------------------------|--------------------------|--------|------------------------------|
| 1    | 40065301                 | <a href="#">12002178</a> |        | Transmison                   |
| 2    | 40070002                 | <a href="#">12002013</a> |        | Base                         |
| 3    | 40003103                 | <a href="#">R9900474</a> |        | Brake Assembly               |
| 4    | <a href="#">R0000014</a> |                          |        | Kit, Brake Pad               |
| 5    | <a href="#">40065701</a> |                          |        | Washer, 2 Odx.63 ID          |
| 6    | <a href="#">40063201</a> |                          |        | Washer, Flat                 |
| 7    | <a href="#">40047202</a> |                          |        | Pulley, Spin                 |
| 8    | <a href="#">40041501</a> |                          |        | Washer                       |
| 9    | <a href="#">40063401</a> |                          |        | Screw, 1/4-20 x 5/8 Hex      |
| 10   | <a href="#">40047402</a> |                          |        | Helix, Plastic               |
| NI   | <a href="#">26594P</a>   |                          |        | Grease, Silicone - 2 Oz Tube |