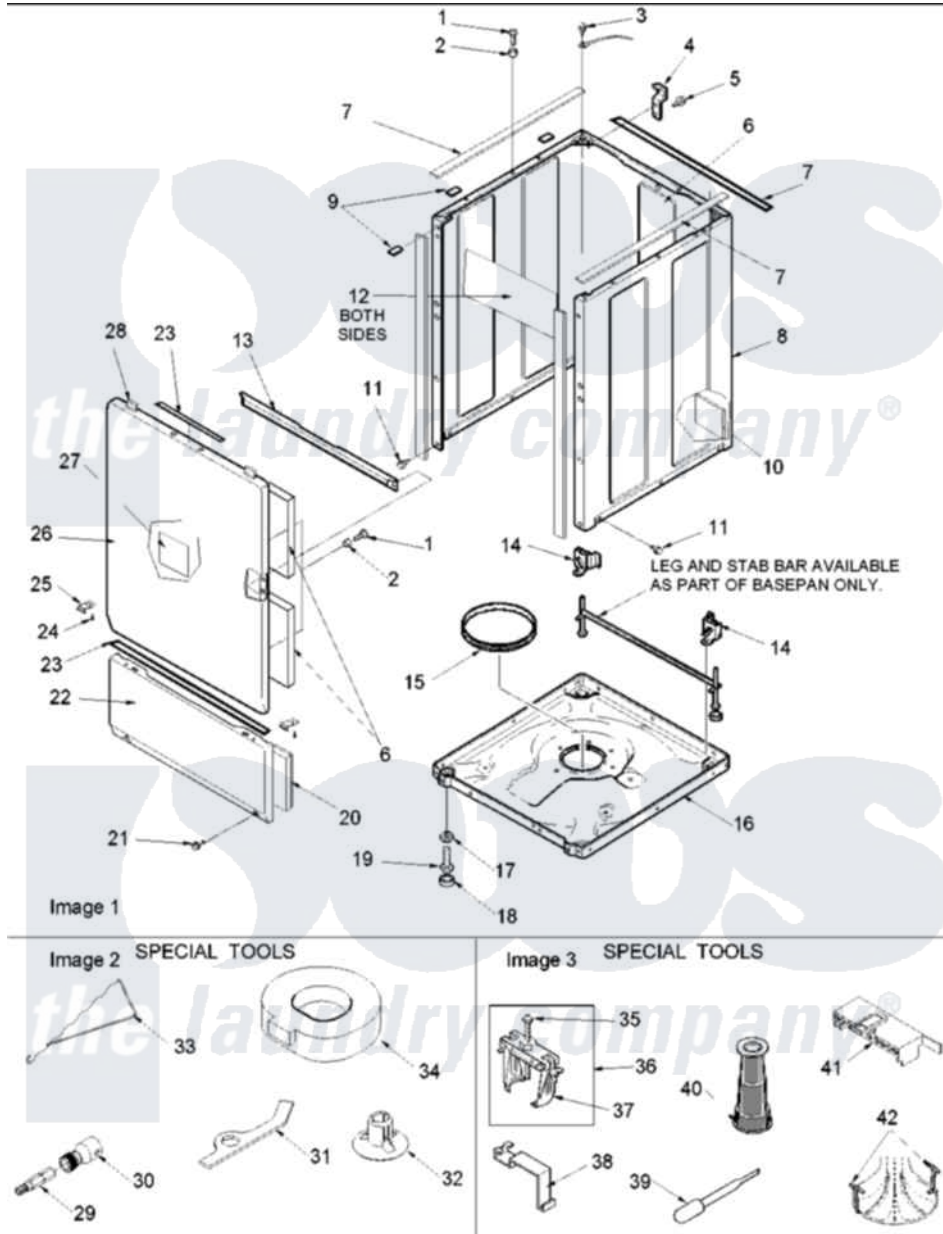


# Amana ALW540RMC (BOM: PALW540RMC1) 02 - BASE, CABINET, FRONT AND SPECIAL TOOLS



Amana Residential Amana ALW540RMC (BOM: PALW540RMC1) Washer Parts Parts Diagram 02 - BASE, CABINET, FRONT AND SPECIAL TOOLS  
 Click on the part number to view part

Item	Original Part Number	Replaced By	Status	Part Description
1	32671	<a href="#">Y014874</a>		Screw, Idler Arm And Sleeve
2	<a href="#">505187</a>			Locator, Panel
4	<a href="#">500003</a>			Hinge, Top
5	40064801	<a href="#">3390631</a>		Screw, 10-16 X 3/8
8	40076402C	<a href="#">40076402CP</a>		Cabinet, Dryer And Washer
9	<a href="#">Y56128</a>			Pad, Bumper
13	56486		Not Available	BRACE, TOP
14	<a href="#">40031501</a>			Bracket, Self Leveling
15	<a href="#">40037401</a>			Ring, Friction
16	40031201	<a href="#">27001226</a>		Base Lev
17	<a href="#">40038101</a>			Nut, Leg
18	<a href="#">40016001</a>			Foot, Rubber
19	40039001	<a href="#">22003428</a>		Leg, Adjustable
21	<a href="#">40034101</a>			Screw, No.12bx1/2
22	40045301C	<a href="#">40045301CP</a>		Panel, Access

25	<a href="#">40034202</a>		Clip, Spring
26	40035401C	<a href="#">40035401CP</a>	Panel, Front
27	40068901	<a href="#">22001817</a>	Sheet, Sound Damper
28	56080	<a href="#">22001650</a>	Fastener, Spring
29	<a href="#">282P4</a>		T25 Tamper Resistant Bit
30	<a href="#">24161</a>		Torx Bit Holder
31	<a href="#">306P4</a>		Hex Wrench
32	40047301	<a href="#">27001185</a>	Brace- Shp
33	289P4	<a href="#">321P4</a>	Hook, Spring
34	40068201	<a href="#">27001185</a>	Brace- Shp
35	<a href="#">294P4B</a>		Drive Bell Bolt
36	<a href="#">294P4</a>		Bell Tool
37	294P5A	Not Available	DRIVE BELL ARMS
38	<a href="#">273P4</a>		Tub Cover Gasket Tool
39	<a href="#">283P4</a>		Terminal Extractor Tool
40	<a href="#">293P4</a>		Seal Tool
41	<a href="#">34677</a>		10 Circuit Plug
42	<a href="#">254P4P</a>		Agitator Hooks
NI	<a href="#">40117501</a>		Assembly, Wire Harness Base

