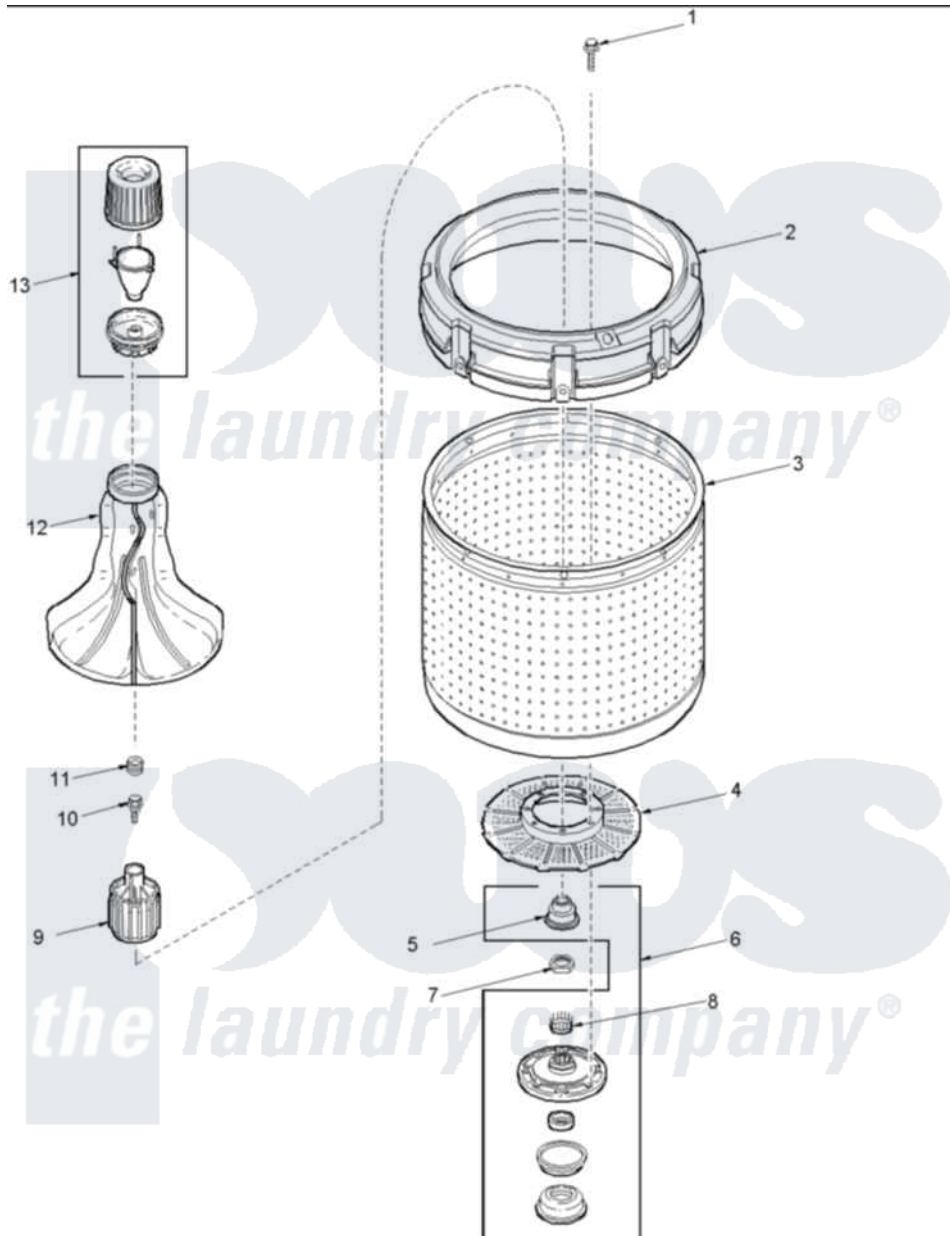


# Amana ALW780QAC (BOM: PALW780QAC) 01 - Agitator, Drive Bell, Washtub and Hub



Amana Residential Amana ALW780QAC (BOM: PALW780QAC) Washer Parts Parts Diagram 01 - Agitator, Drive Bell, Washtub and Hub

[Click on the part number to view part](#)

| Item | Original Part Number      | Replaced By              | Status | Part Description         |
|------|---------------------------|--------------------------|--------|--------------------------|
| 1    | 40063301                  | <a href="#">3400527</a>  |        | Screw                    |
| 2    | 40002901                  | <a href="#">27001052</a> |        | Balance Ring             |
| 3    | 40000801                  | <a href="#">719P3</a>    |        | Assembly- Wash           |
| 4    | <a href="#">40008001</a>  |                          |        | Filter, Lint             |
| 5    | <a href="#">40016101</a>  |                          |        | Seal, Bell Drive         |
| 6    | <a href="#">R9900457</a>  |                          |        | Kit, Hub And Seal        |
| 7    | <a href="#">40016301</a>  |                          |        | Nut, Lock                |
| 8    | <a href="#">40008301</a>  |                          |        | Insert, Spline           |
| 9    | <a href="#">R9900189</a>  |                          |        | Kit, Drive Bell And Seal |
| 10   | <a href="#">40065102</a>  |                          |        | Screw, Shoulder 1/4      |
| 11   | <a href="#">40008401</a>  |                          |        | Plug, Bell               |
| 12   | <a href="#">40000501W</a> |                          |        | Agitator, Flex Vane      |
| 13   | <a href="#">40002101W</a> |                          |        | Assembly, Fabric Softner |