

Amana ALW780QAC (BOM: PALW780QAC) 04 - Cabinet Top, Door, and Door Switch

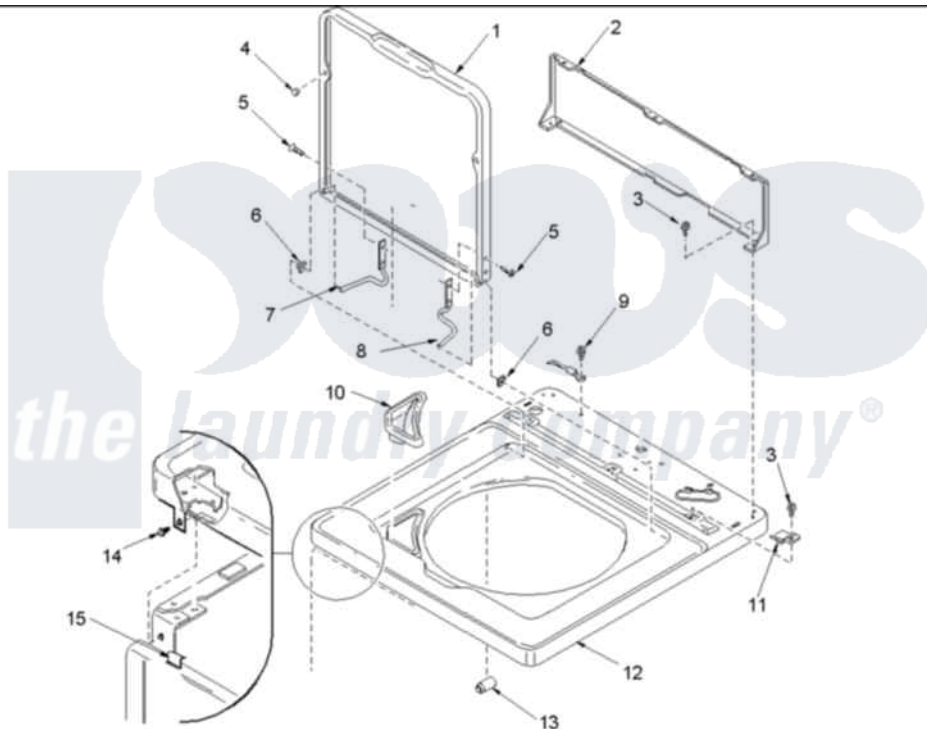
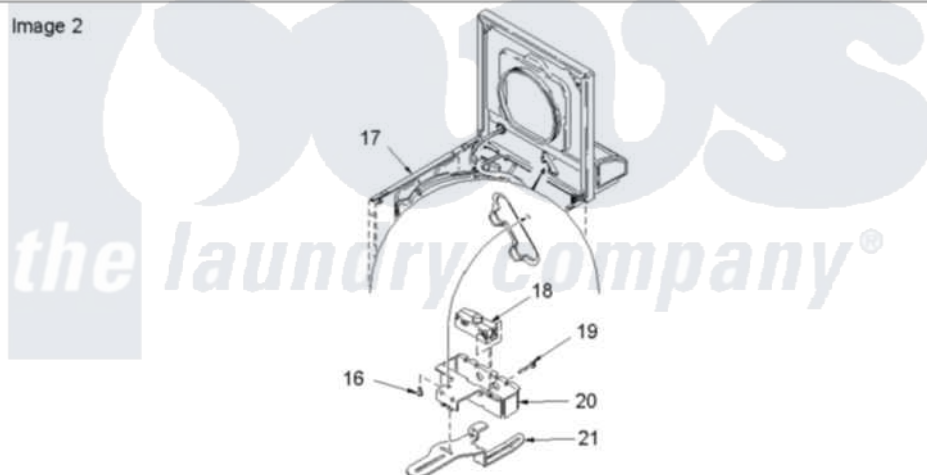


Image 1

Image 2



Amana Residential Amana ALW780QAC (BOM: PALW780QAC) Washer Parts Parts Diagram 04 - Cabinet Top, Door, and Door Switch

[Click on the part number to view part](#)

Item	Original Part Number	Replaced By	Status	Part Description
1	40111301W	27001093		Lid
"	40111301C		Not Available	LID,W/INSTRUCTIONS
2	40051401		Not Available	PANEL,HOME HOOD BACK
"	40121402			Panel, Back
3	501086	90767		Screw, 8A X 3/8 HeX Washer Head Tapping
4	40038001			Bumper
5	40039201	W10119828		Screw, Lid Hinge Mounting
6	40008201			Bushing, Hinge
7	40094002			Hinge, Lid Left Stop
8	40094101			Hinge, Lid Right Pass
9	20530			Screw, 10-24 x 3/8 Hex
10	40093901			Dispenser, Bleach
11	40063901			Clip, Hold Down
12	40000202W	27001182		Top

"	40000202C	27001183	Top
13	40102101		Cap, Hinge
14	503661	27001200	Screw
15	56080	22001650	Fastener, Spring
16	501086	90767	Screw, 8A X 3/8 HeX Washer Head Tapping
17	40076402W	37001284	Cabinet As Pack
"	40076402C	40076402CP	Cabinet, Dryer And Washer
18	40035001	27001095	Switch, Lid
19	40040701		Screw, Tapping No.6b-20
20	40009801		Holder, Lid Switch
21	40009701		Arm, Lid Switch

Fowles
the laundry company®

Fowles
the laundry company®

Fowles
the laundry company®